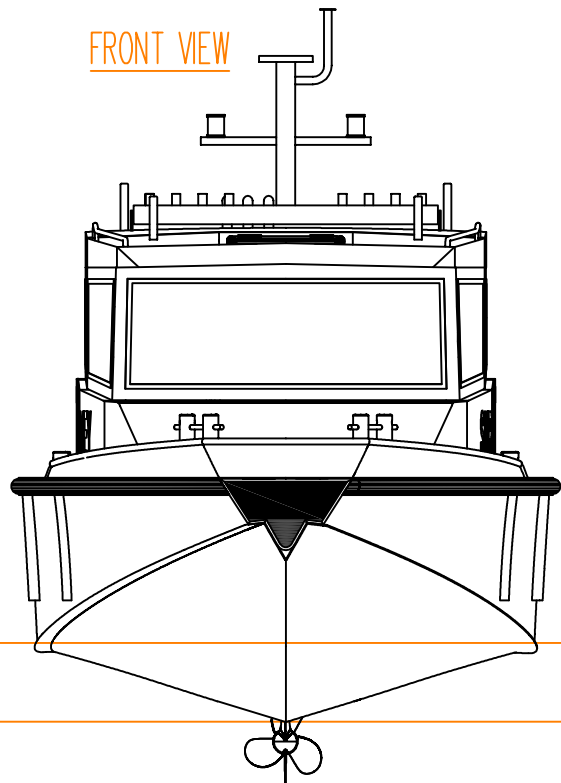
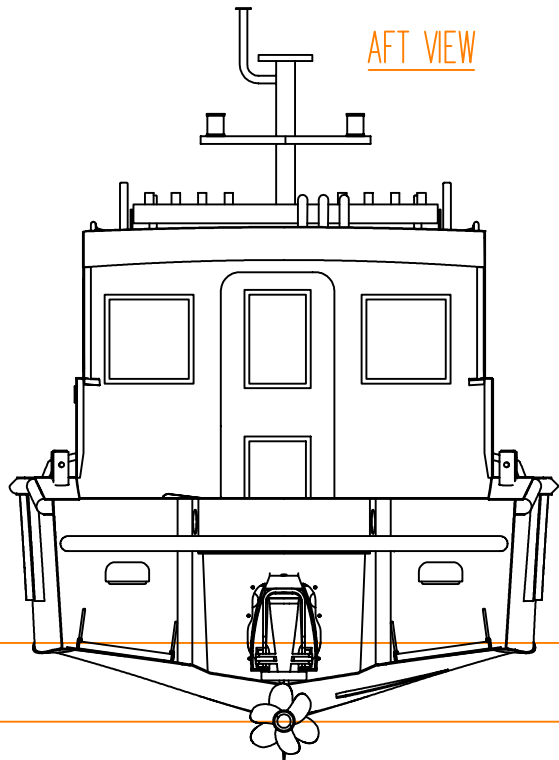


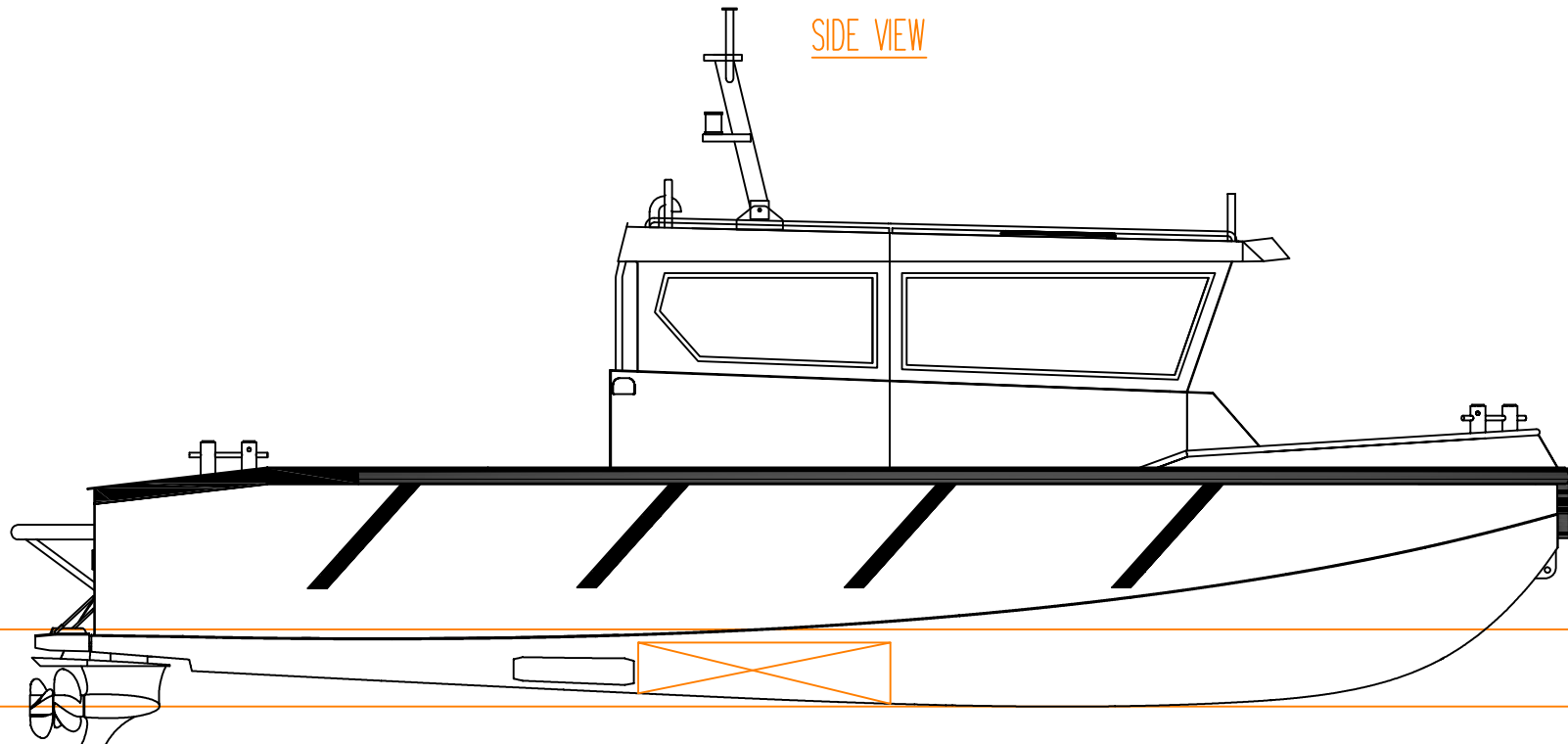
FRONT VIEW



AFT VIEW



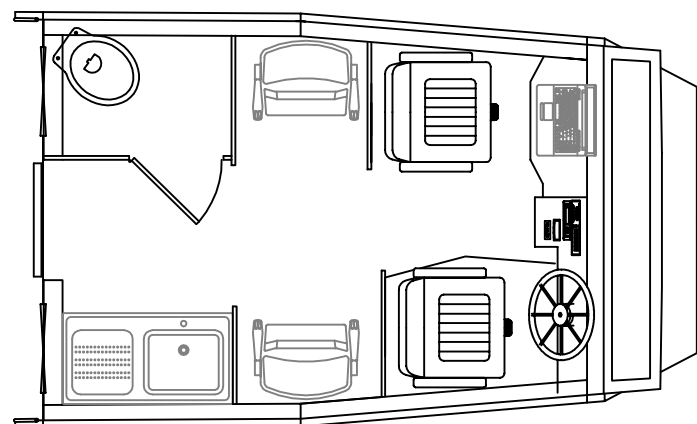
SIDE VIEW



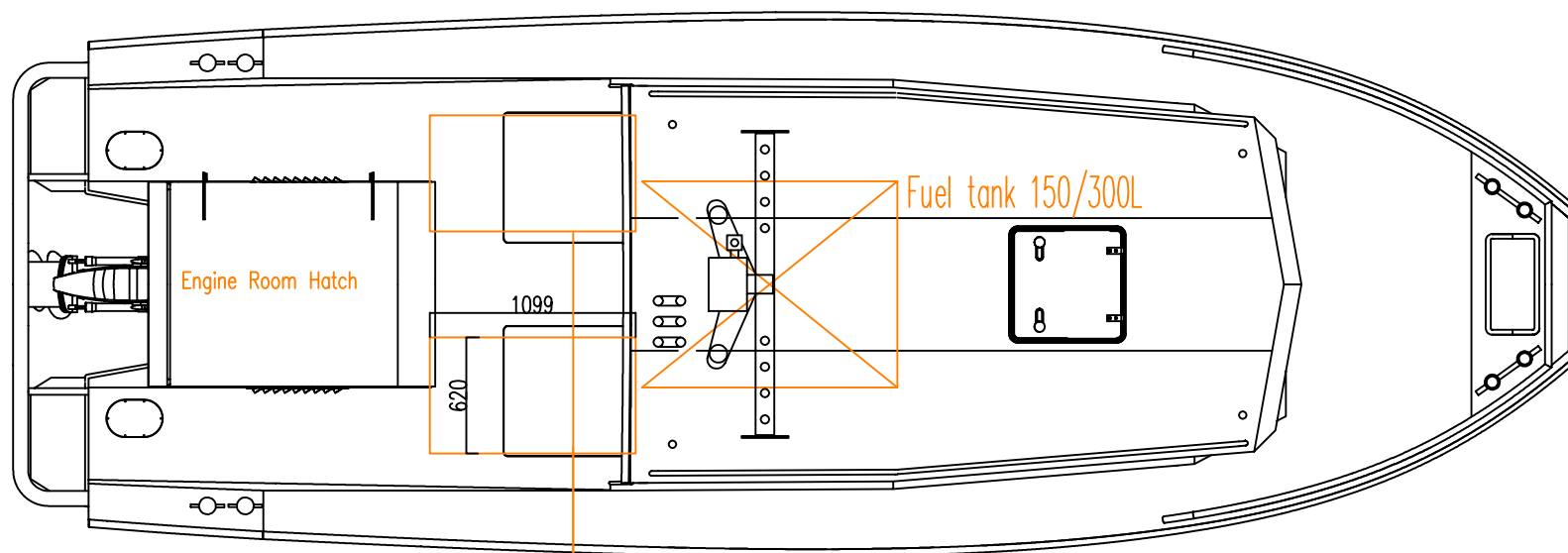
CWL

BASELINE

WHEELHOUSE LAY-OUT



TOP VIEW



Fuel tank 150/300L

Engine Room Hatch

1099

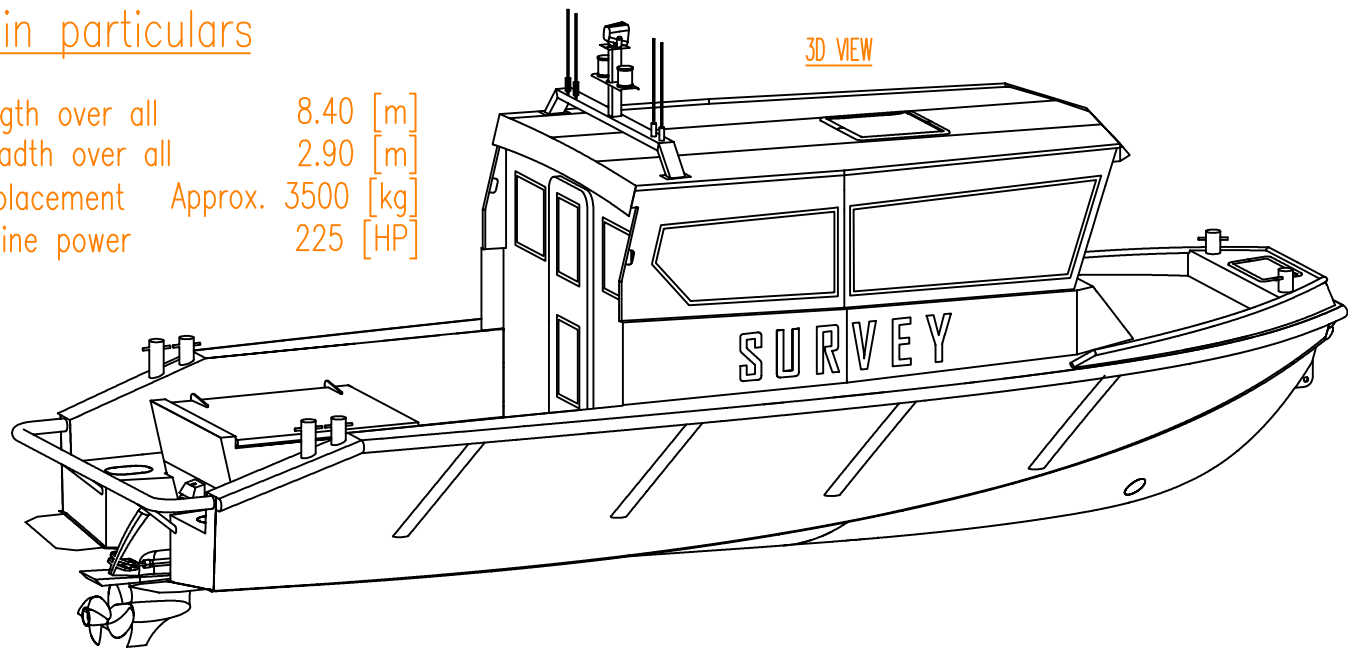
620

Double moonpool configuration  
maximum installation dimensions as indicated

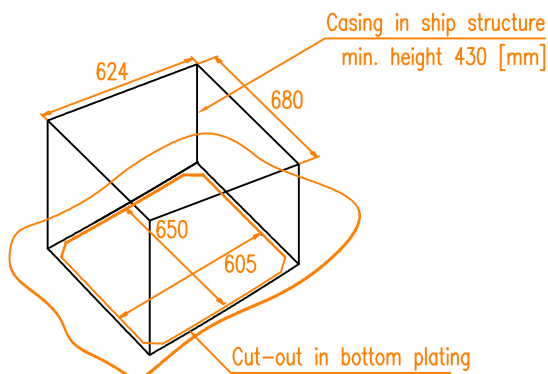
Main particulars

Length over all 8.40 [m]  
Breadth over all 2.90 [m]  
Displacement Approx. 3500 [kg]  
Engine power 225 [HP]

3D VIEW



MOONPOOL DIMENSIONS



Casing in ship structure  
min. height 430 [mm]

Cut-out in bottom plating

<b>DWB</b> DUTCHWORKBOATS	DRAWN DutchWorkboats	FORMAT A3	PROJECTION
	CHECKED B.A. de Vries	SCALE 1:40	
	APPROVED	DATE 29-08-2016	
FSB 8.50 SURVEY/CREW VERSION - GENERAL ARRANGEMENT			
TYPE DWB FSB 8.50	DWG NO	SHEET	REVISION
YARD NO contractor			
YARD NO building yard			