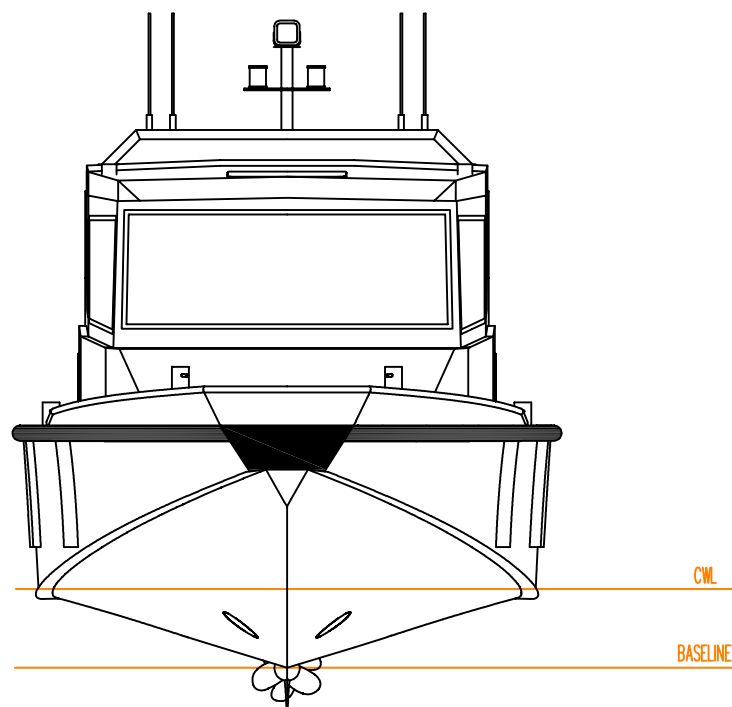
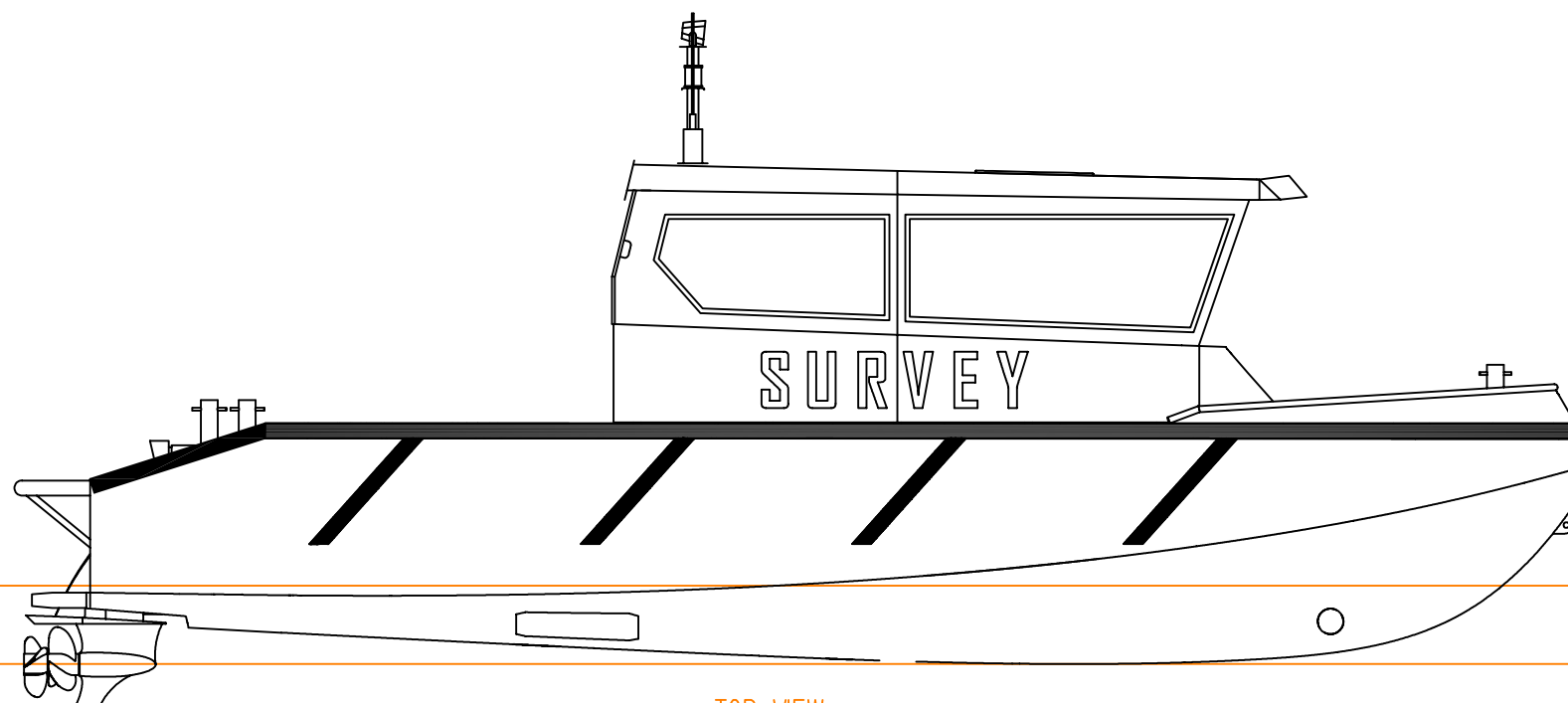


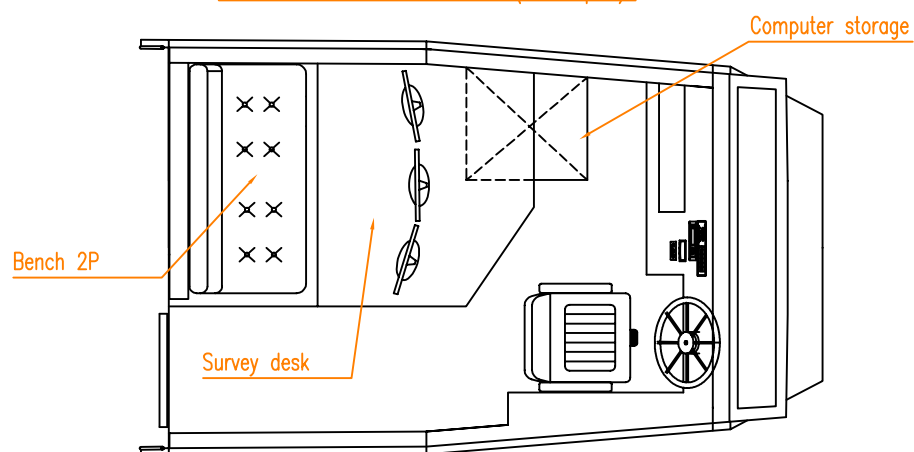
FRONT VIEW



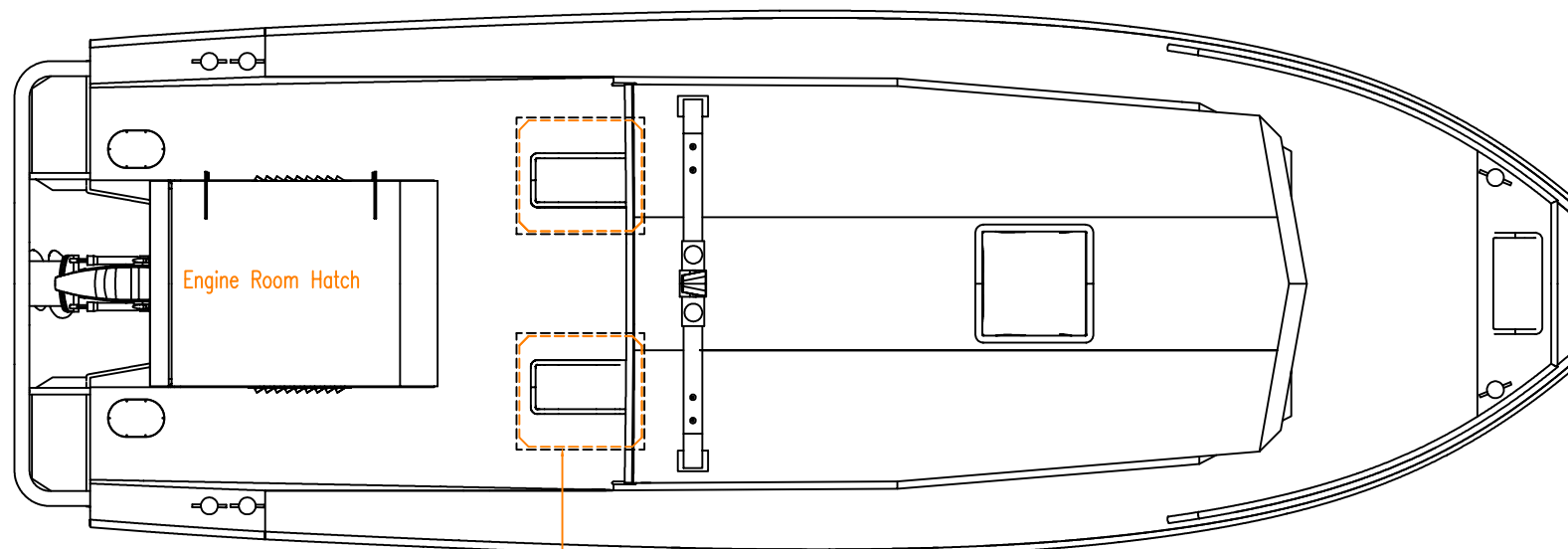
SIDE VIEW



WHEELHOUSE LAY-OUT (example)

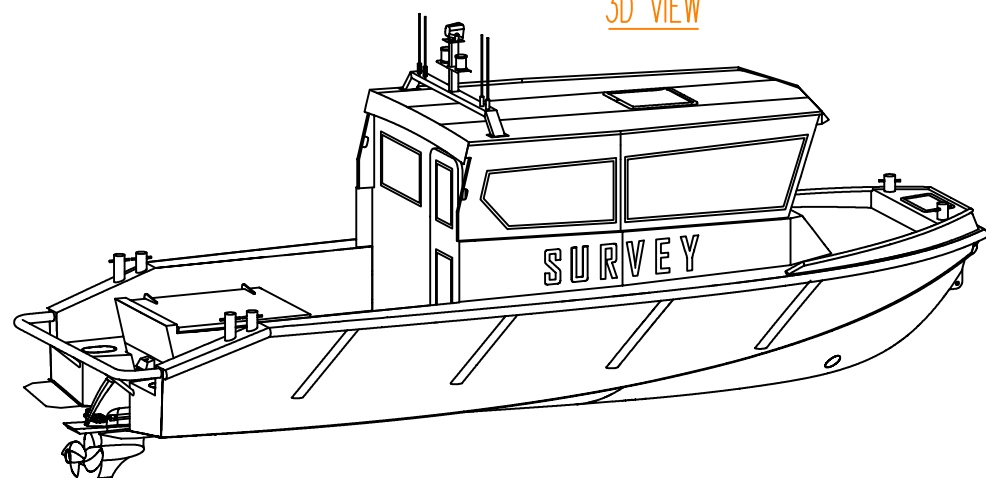


TOP VIEW

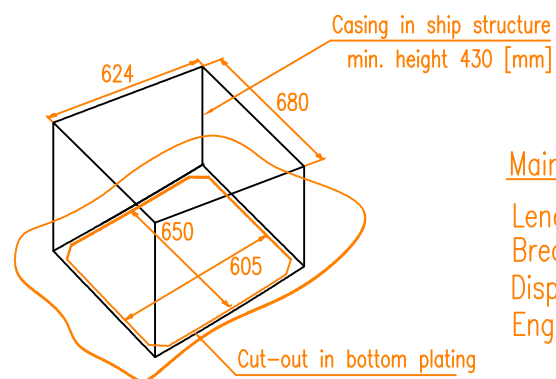


Double moonpool configuration
installation dimensions as indicated in detail below

3D VIEW



MOONPOOL DIMENSIONS



Main particulars

Length over all	8.40 [m]
Breadth over all	2.90 [m]
Displacement	Approx. 3500 [kg]
Engine power	225 [HP]

Inner cabin dimensions

Max. length	2.85 [m]
Max. breadth	1.95 [m]
Height (floor to ceiling)	1.95 [m]

	DRAWN	DutchWorkboats	FORMAT A3	PROJECTION
	CHECKED	B.A. de Vries	SCALE 1:40	
	APPROVED		DATE 07-04-2016	
<p>FAST SURVEY BOAT 8.50 – GENERAL ARRANGEMENT</p>				
TYPE DWB FSB 8.50 – standard version				
YARD NO contractor		DWG NO		SHEET
YARD NO building yard				REVISION
				-