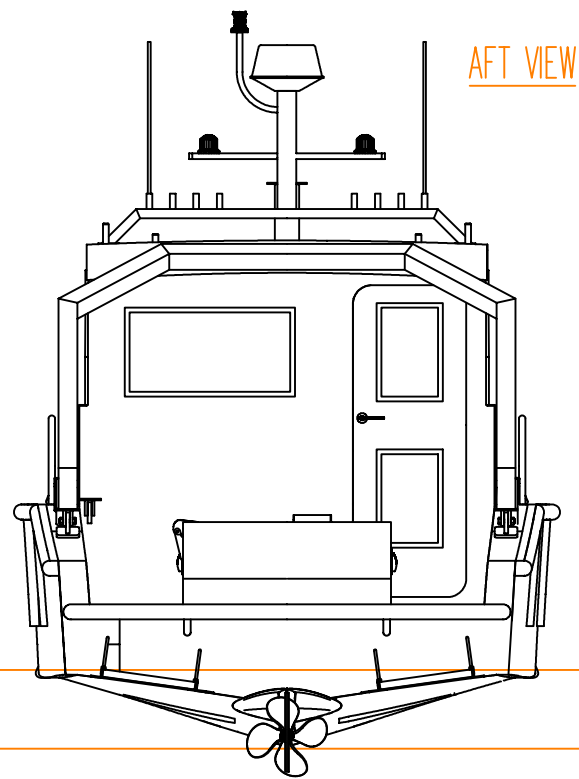
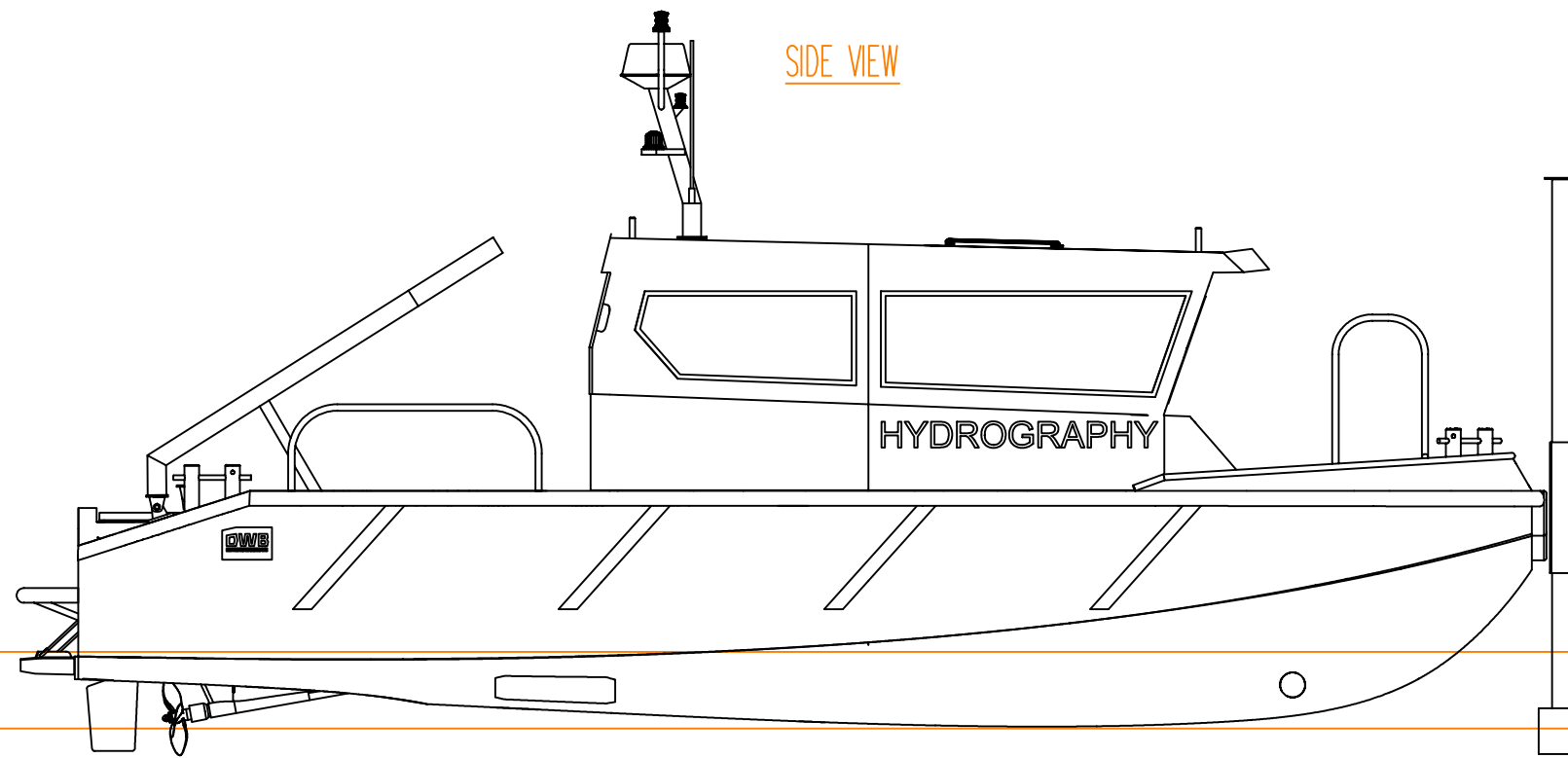


FRONT VIEW

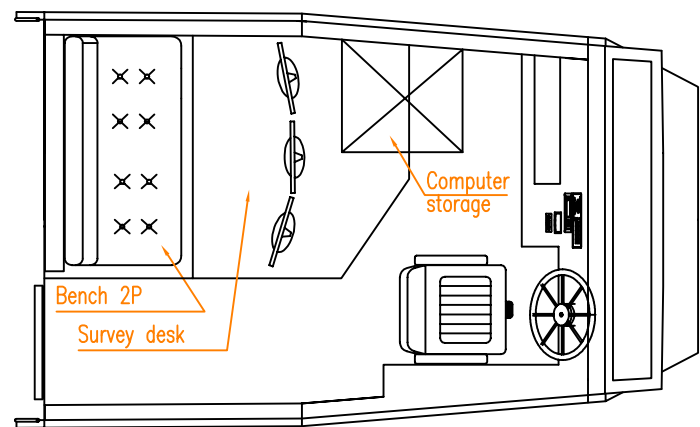


AFT VIEW

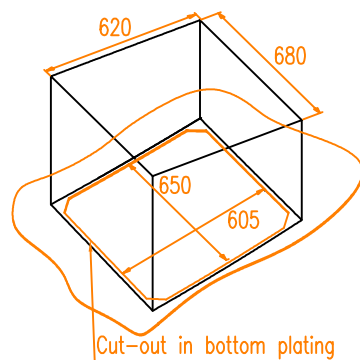


SIDE VIEW

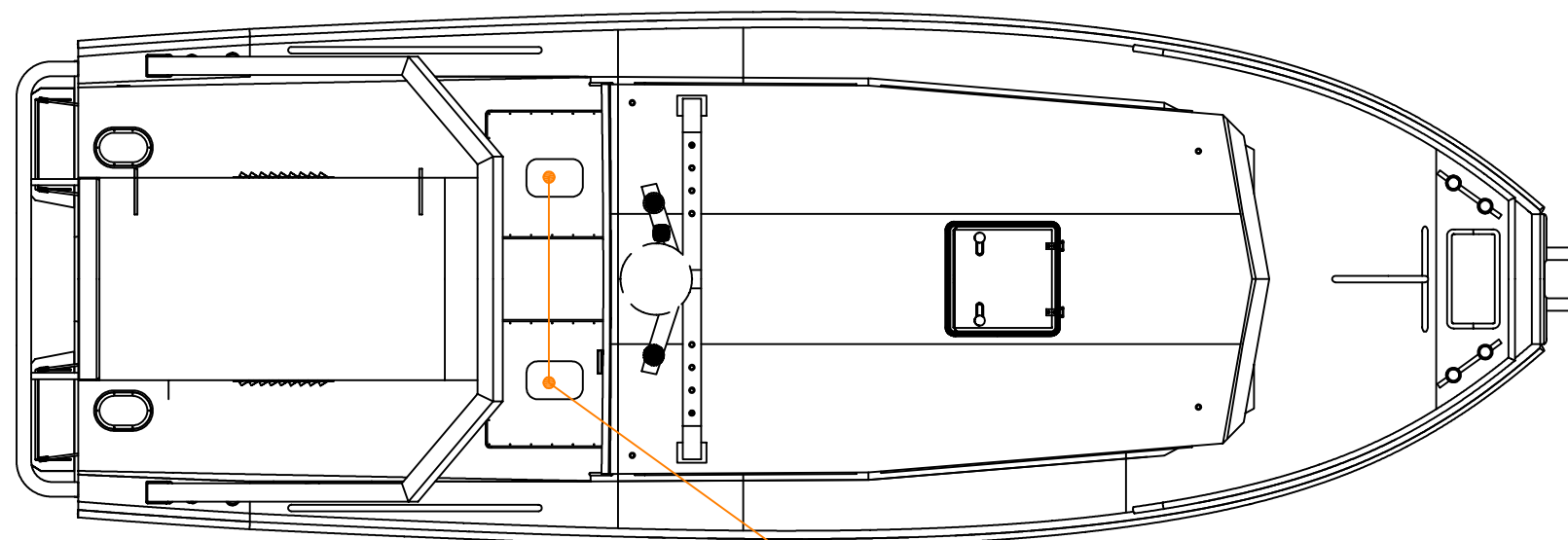
WHEELHOUSE LAY-OUT



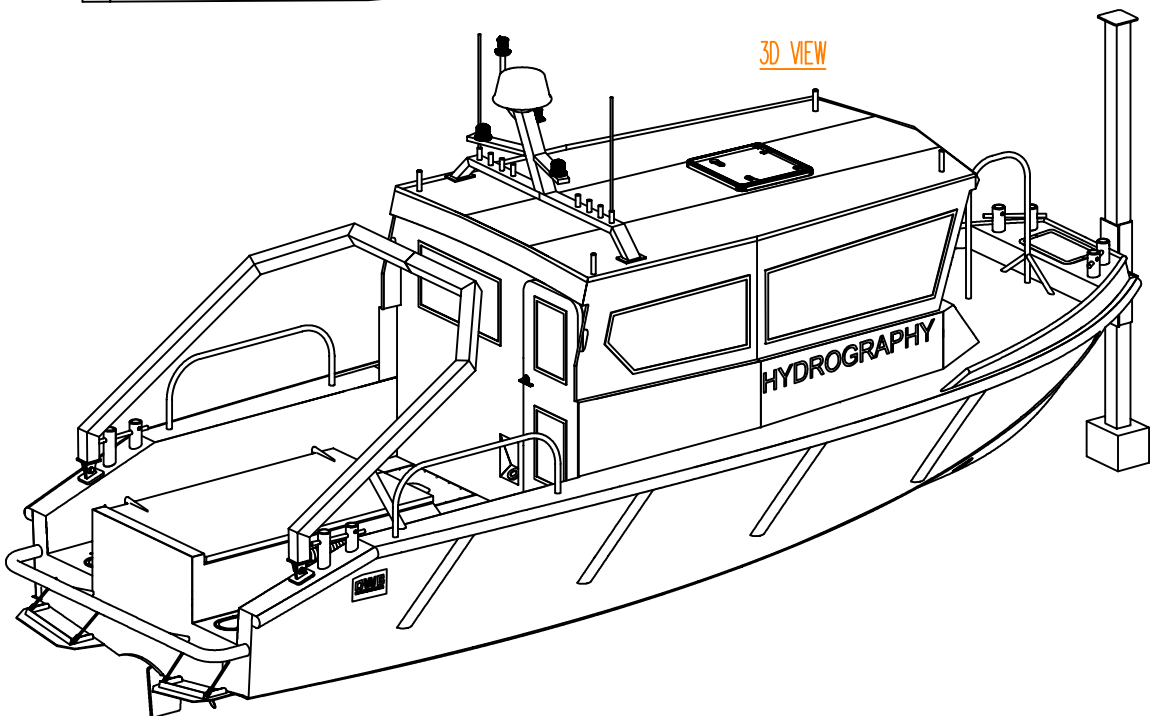
MOONPOOL DIMENSIONS



TOP VIEW



Double moonpool configuration
installation dimensions as indicated in detail drawing



3D VIEW

Main particulars

Length over all 8.40 [m]
 Breadth over all 2.90 [m]
 Displacement Approx. 3500 [kg]
 Engine power 225 [HP]

Inner cabin dimensions

Max. length 2.85 [m]
 Max. breadth 1.95 [m]
 Height (floor to ceiling) 1.95 [m]

Propulsion

Engine (no, make & type) 1 x Yanmar 4LHA-DTP
 Engine (power) 200 [HP]
 Gearbox ZF63IV
 Propeller (type & diameter) FPP, 17 ["]

	DRAWN	DutchWorkboats	FORMAT	A3	PROJECTION	
	CHECKED	B.A. de Vries	SCALE	1:40		
	APPROVED	R. Voskuil	DATE	21-06-2016		
<p>FSB 8.50 - CAMEROON</p>						
<p>TYPE DWB FAST SURVEY BOAT 8.50</p>						
	YARD NO contractor		DWG NO		SHEET	REVISION
	YARD NO building yard					