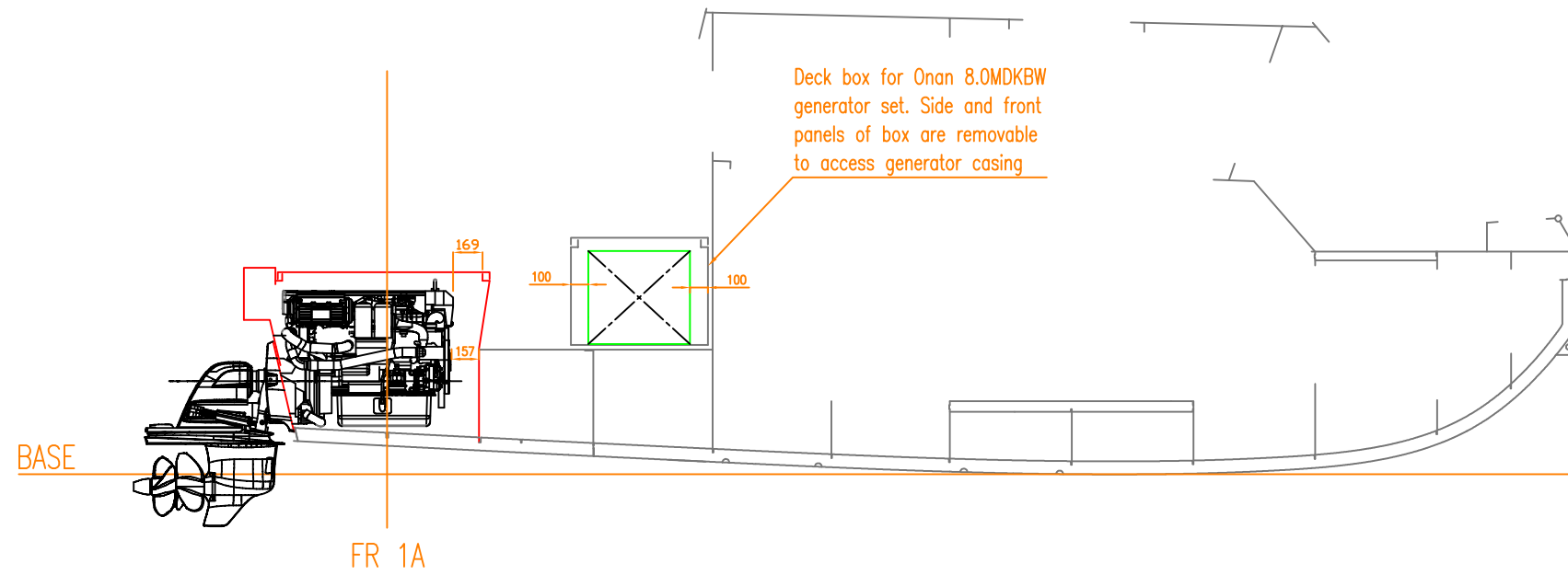
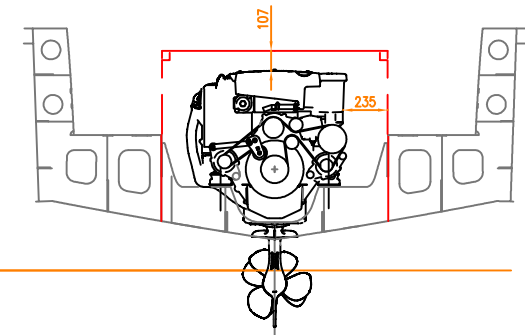


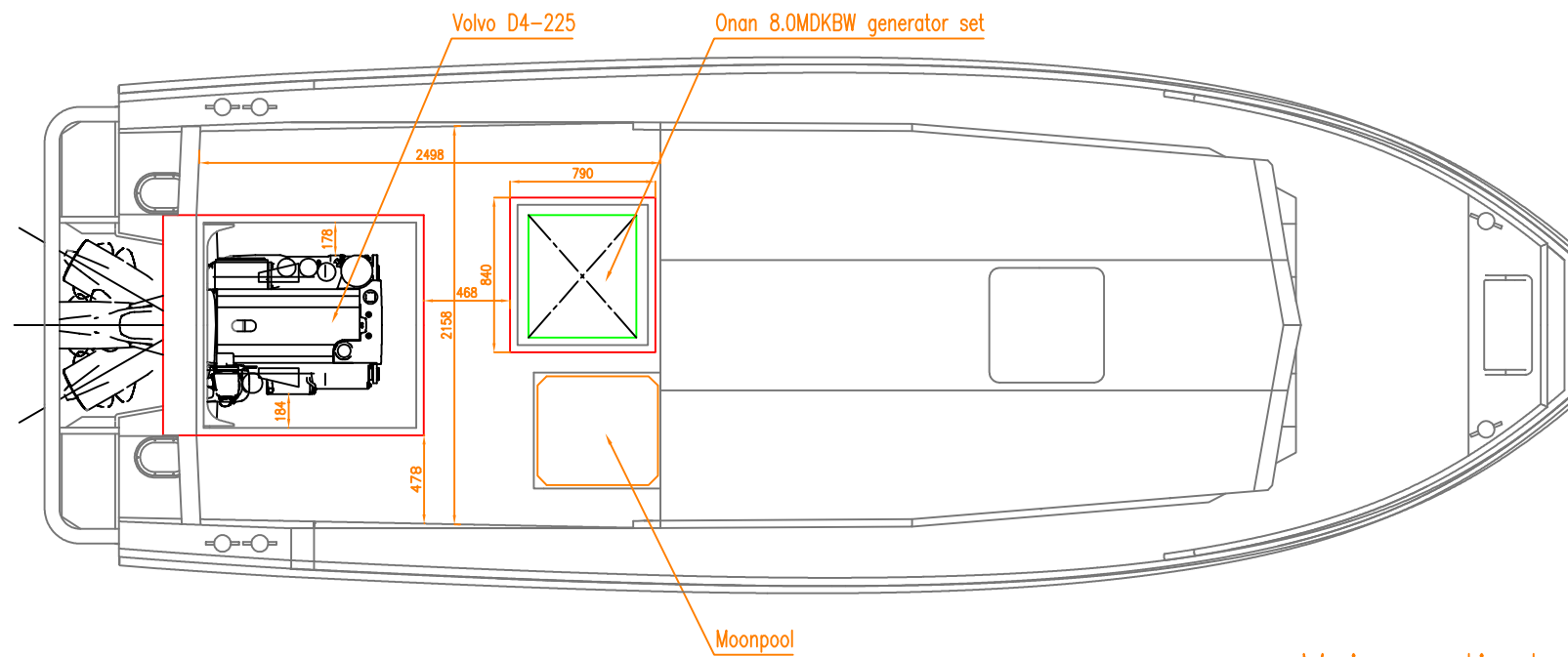
Longitudinal section on CL



Cross Section FR 1A



Top view



Main particulars

Length over all 8.50 [m]  
 Breadth over all 2.90 [m]  
 Engine Volvo D4-225, 225 [HP]

	DRAWN	DutchWorkboats	FORMAT	A3	PROJECTION 
	CHECKED	B.A. de Vries	SCALE	1:40	
	APPROVED		DATE	28-01-2016	
FSB 8.50 NMDC – ENGINE & GENERATOR BOX LAYOUT					
TYPE DWB FAST SURVEY BOAT 8.50					
	YARD NO		DWG NO	SHEET	REVISION
	contractor				
	building yard				