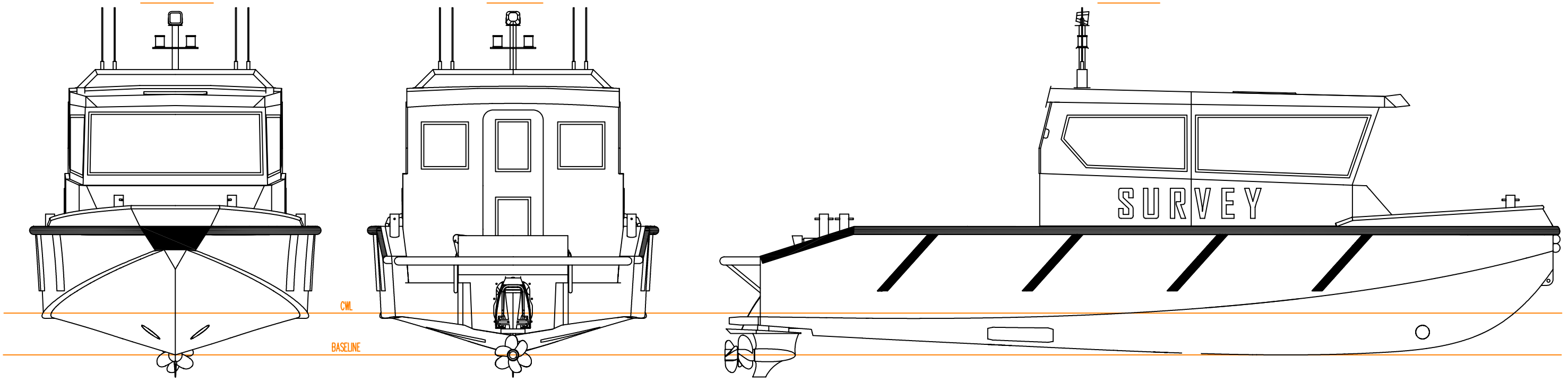


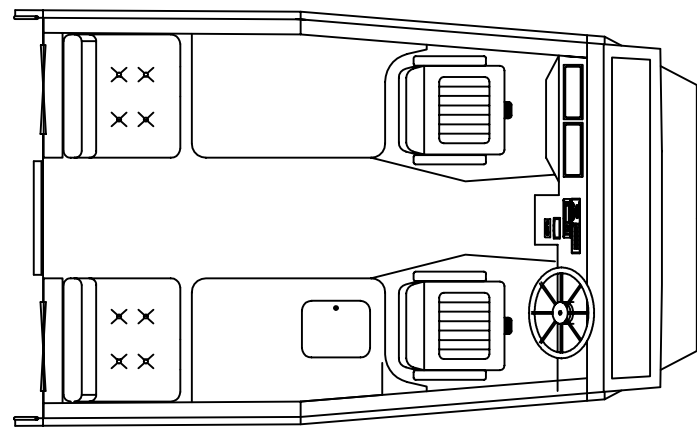
FRONT VIEW

AFT VIEW

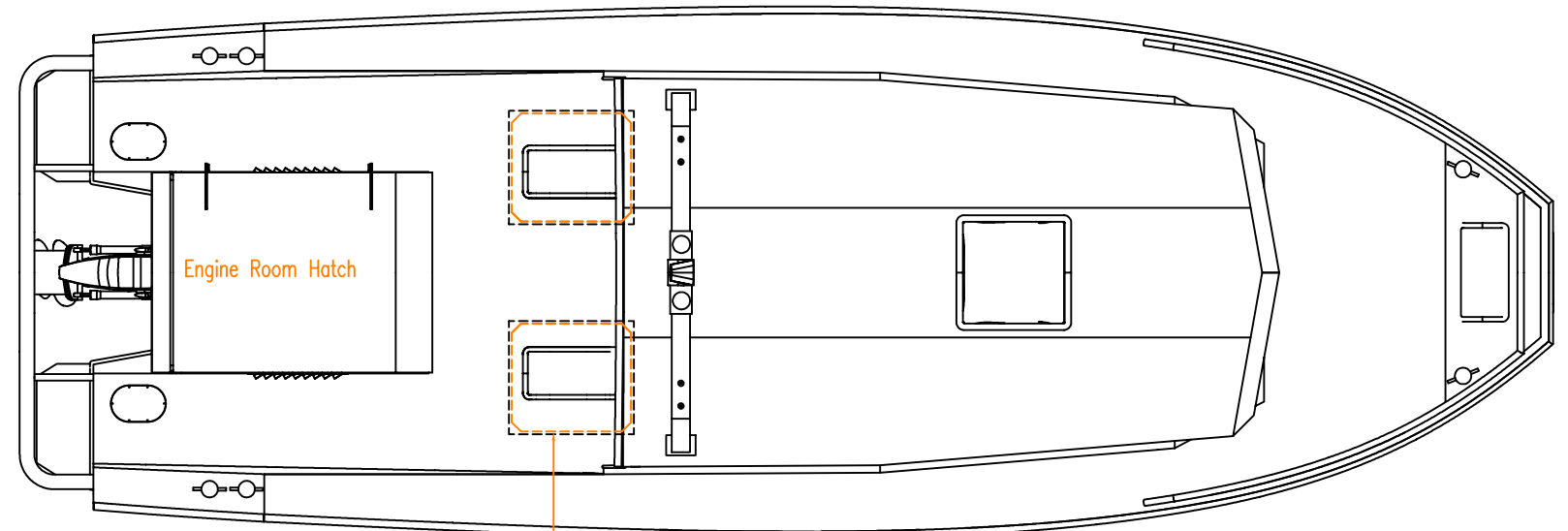
SIDE VIEW



WHEELHOUSE LAY-OUT

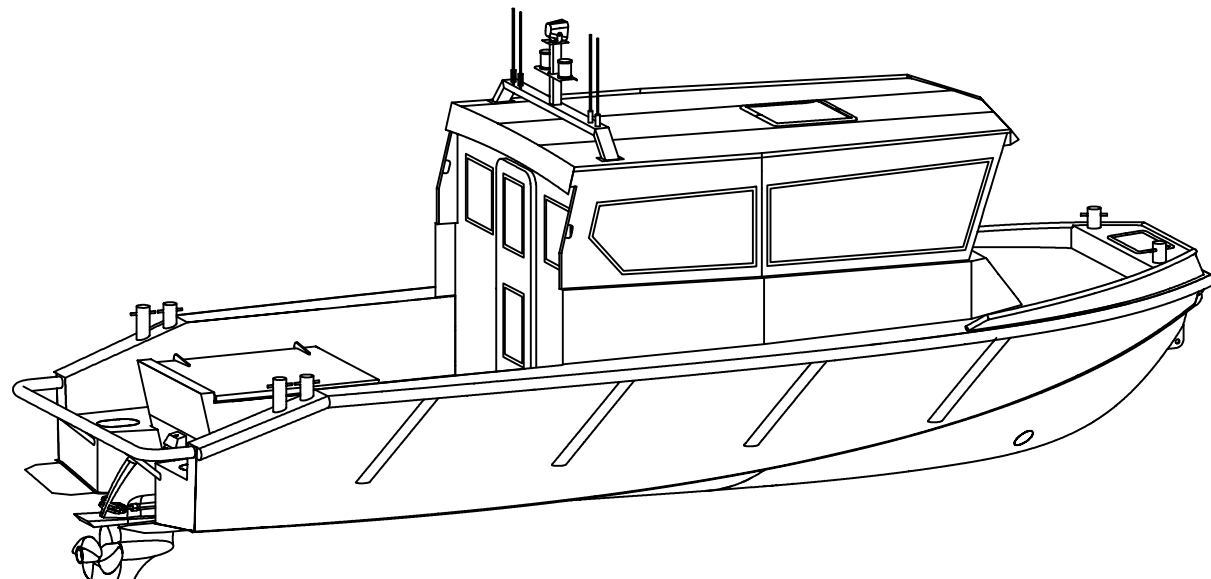


TOP VIEW

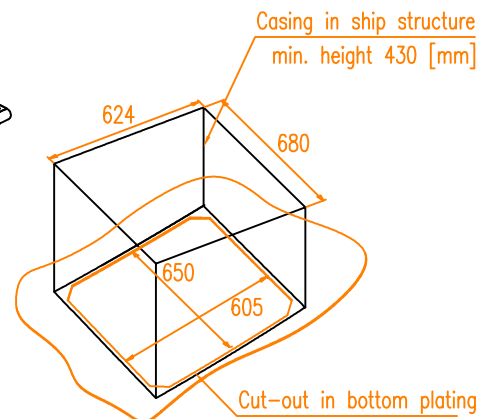


Double moonpool configuration
installation dimensions as indicated in detail below

3D VIEW



MOONPOOL DIMENSIONS



Main particulars

Length over all 8.40 [m]
 Breadth over all 2.90 [m]
 Displacement Approx. 3500 [kg]
 Engine power 225 [HP]

Inner cabin dimensions

Max. length 2.85 [m]
 Max. breadth 1.95 [m]
 Height (floor to ceiling) 1.95 [m]

DWB DUTCHWORKBOATS	DRAWN DutchWorkboats	FORMAT A3	PROJECTION
	CHECKED B.A. de Vries	SCALE 1:40	
	APPROVED	DATE 07-04-2016	
FAST SURVEY BOAT 8.50 – GENERAL ARRANGEMENT			
TYPE DWB FSB 8.50 – 4 crew version	DWG NO	SHEET	REVISION
YARD NO contractor			
YARD NO building yard			