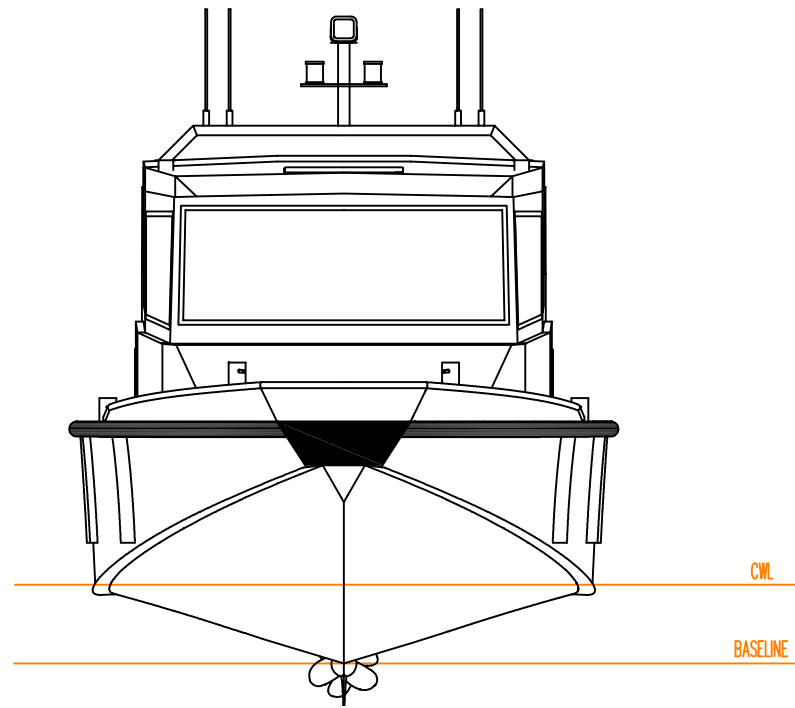
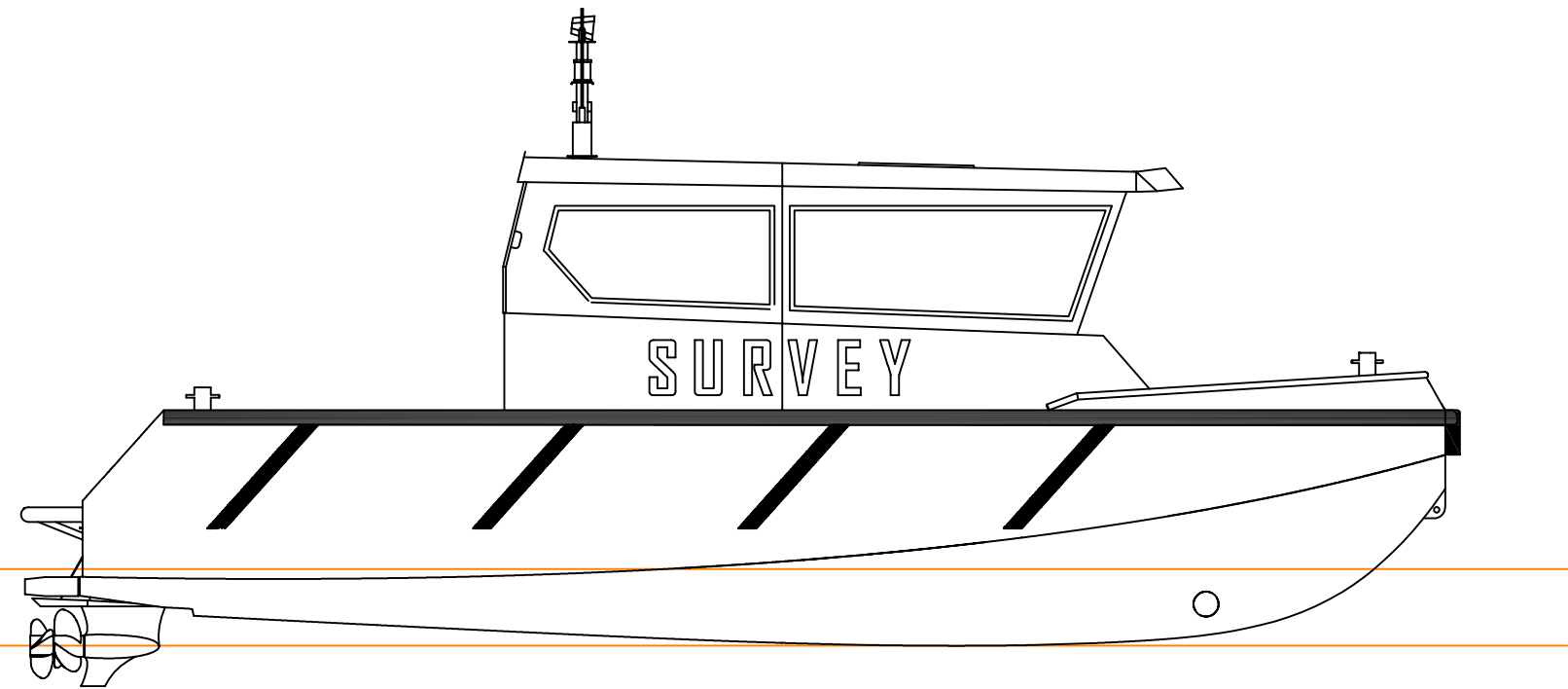


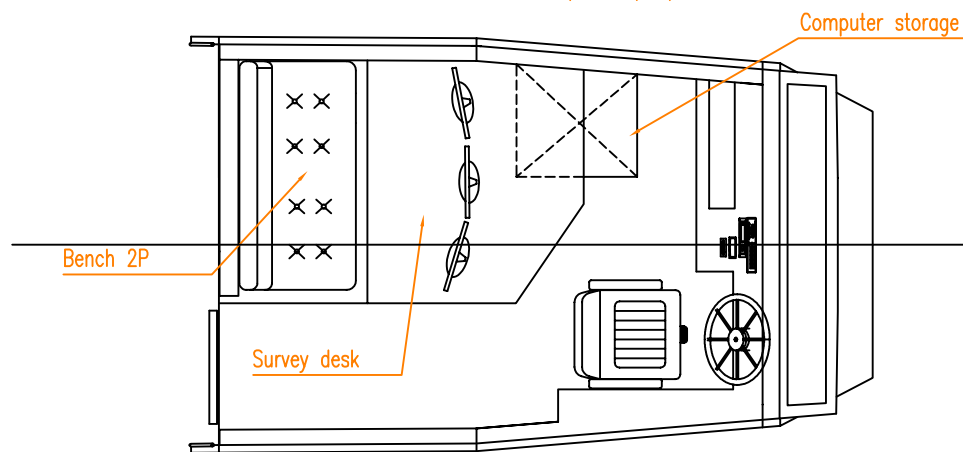
FRONT VIEW



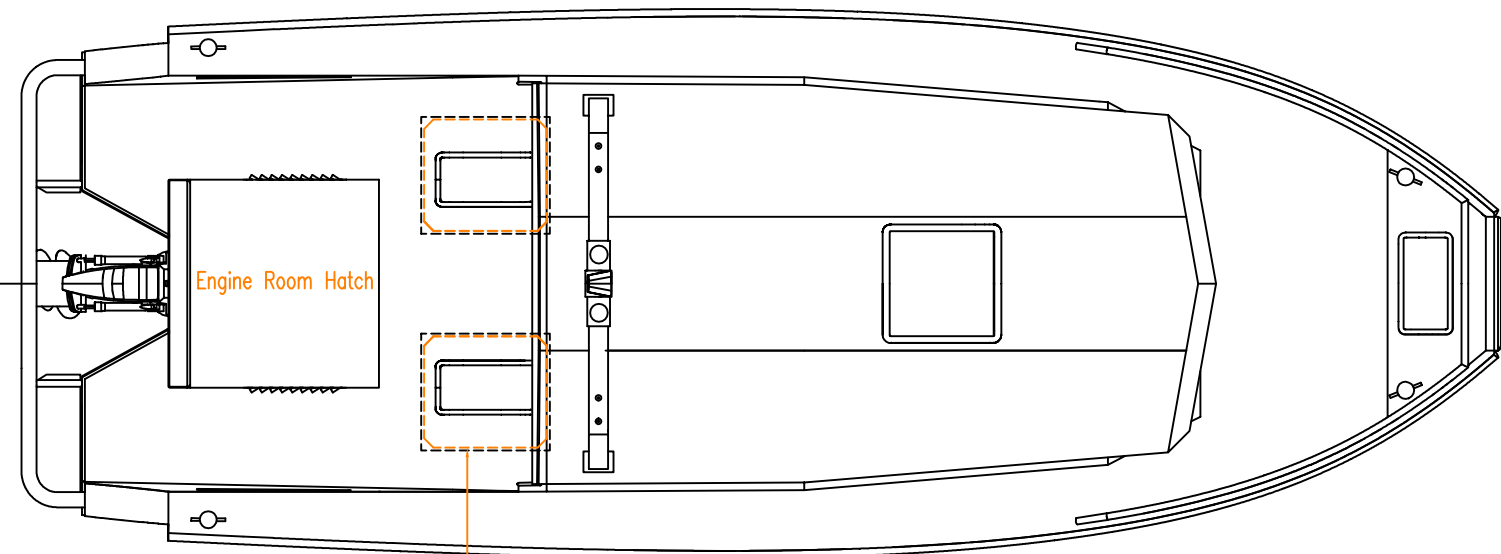
SIDE VIEW



WHEELHOUSE LAY-OUT (example)

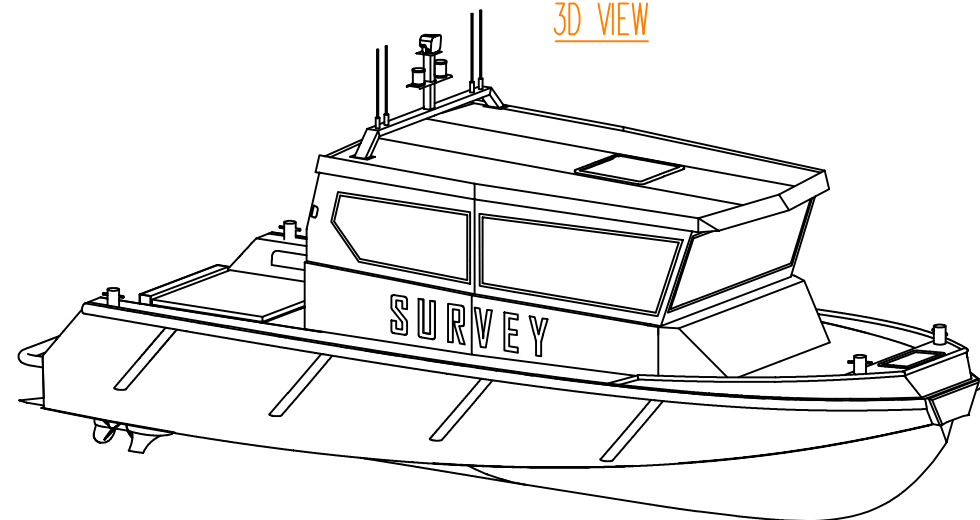


TOP VIEW

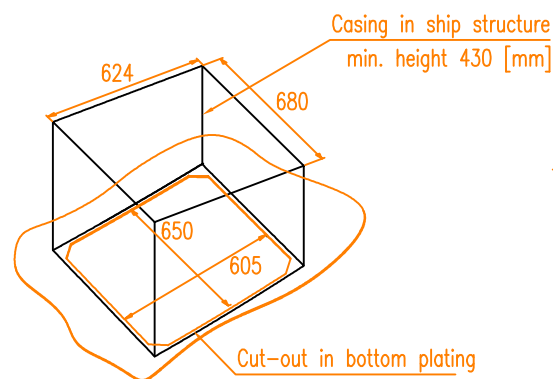


Double moonpool configuration  
installation dimensions as indicated in detail below

3D VIEW



MOONPOOL DIMENSIONS



Main particulars

Length over all	7.85 [m]
Breadth over all	2.90 [m]
Displacement	Approx. 2700 [kg]
Engine power	170-220 [HP]

Inner cabin dimensions

Max. length	2.85 [m]
Max. breadth	1.95 [m]
Height (floor to ceiling)	1.95 [m]

<b>DWB</b> DUTCHWORKBOATS	DRAWN	DutchWorkboats	FORMAT	A3	PROJECTION	
	CHECKED	BA de Vries	SCALE	1:40		
	APPROVED		DATE	07-04-2016		
FAST SURVEY BOAT 7.50 – GENERAL ARRANGEMENT						
	TYPE	DWB FSB 7.50				
	YARD NO	contractor	DWG NO		SHEET	REVISION
	YARD NO	building yard				