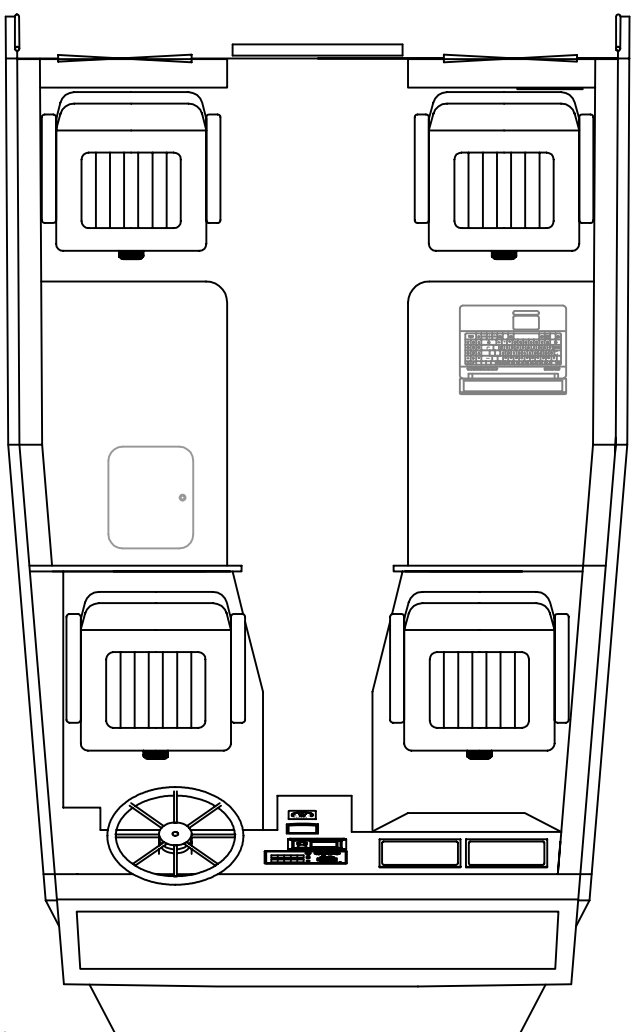
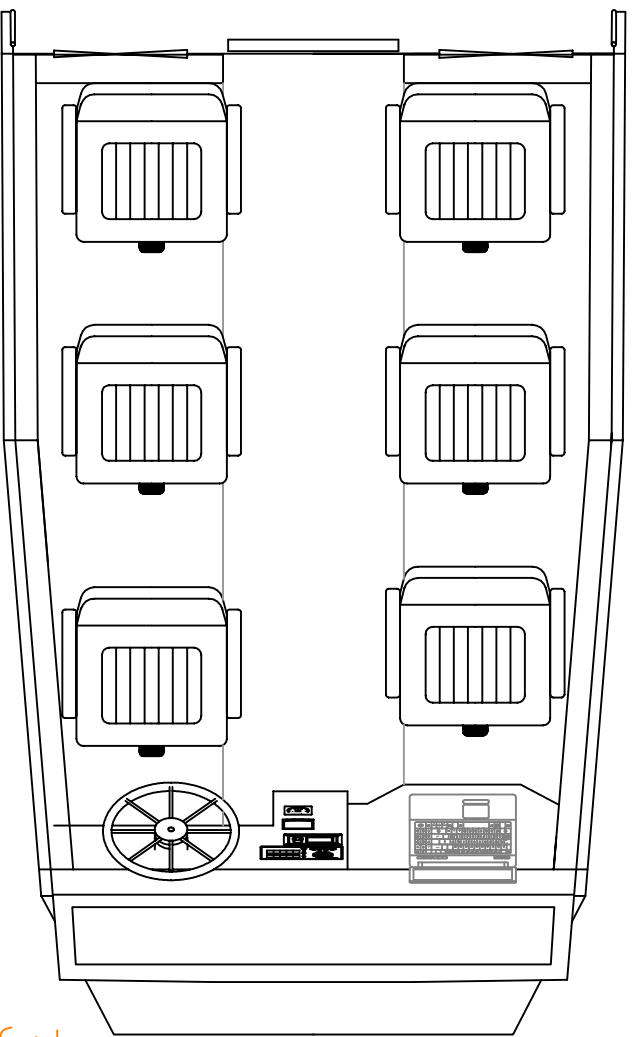


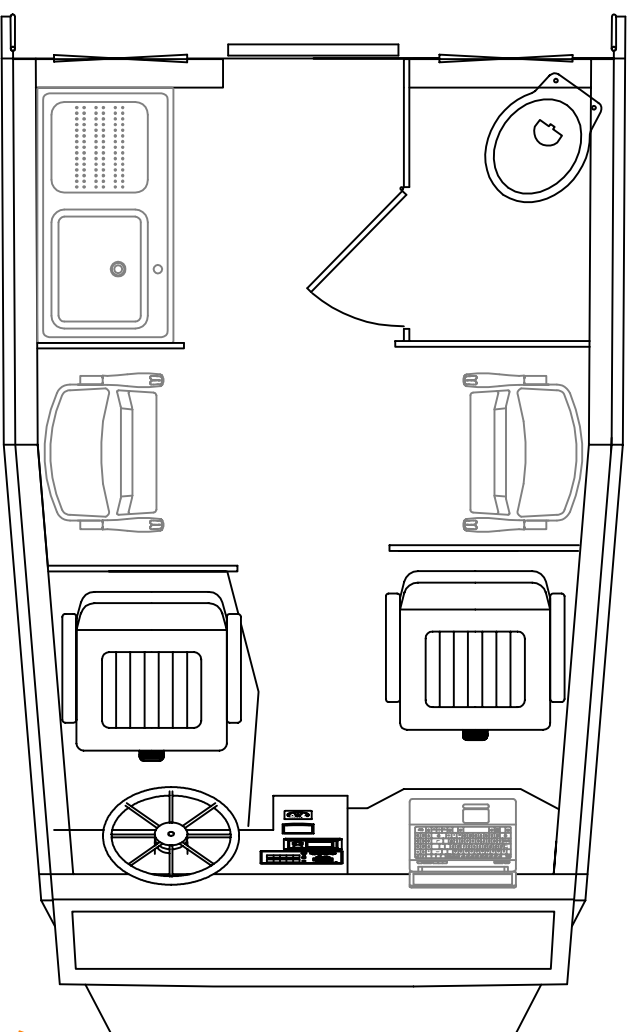
1



2



3



4

FSB 8.50 – CABIN LAYOUT EXAMPLES



DUTCHWORKBOATS

DRAWN	DutchWorkboats	FORMAT A3	PROJECTION
CHECKED	B.A. & M.B.	SCALE	
APPROVED		DATE	16-09-2015



TYPE		DWB FSB 8.50	
YARD NO	Contractor	DWG NO	
YARD NO	building yard	SHEET	REVISION