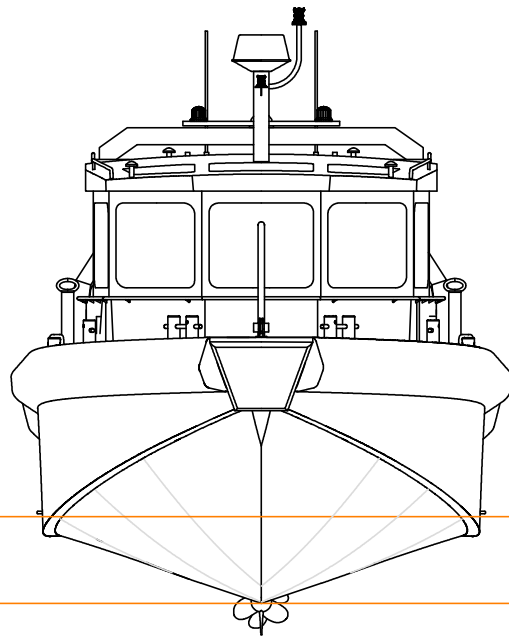
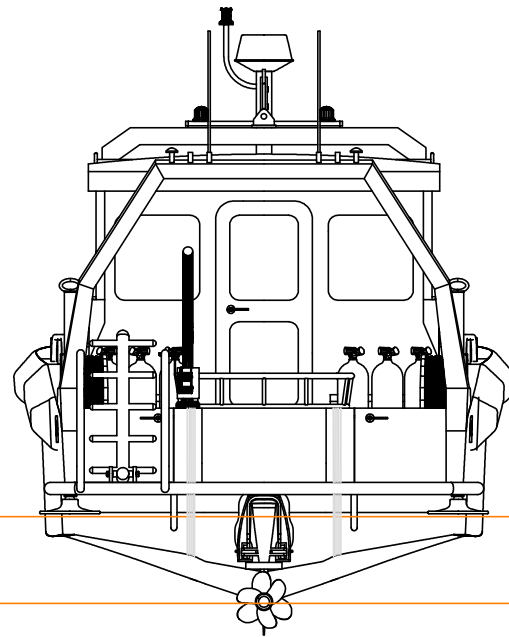


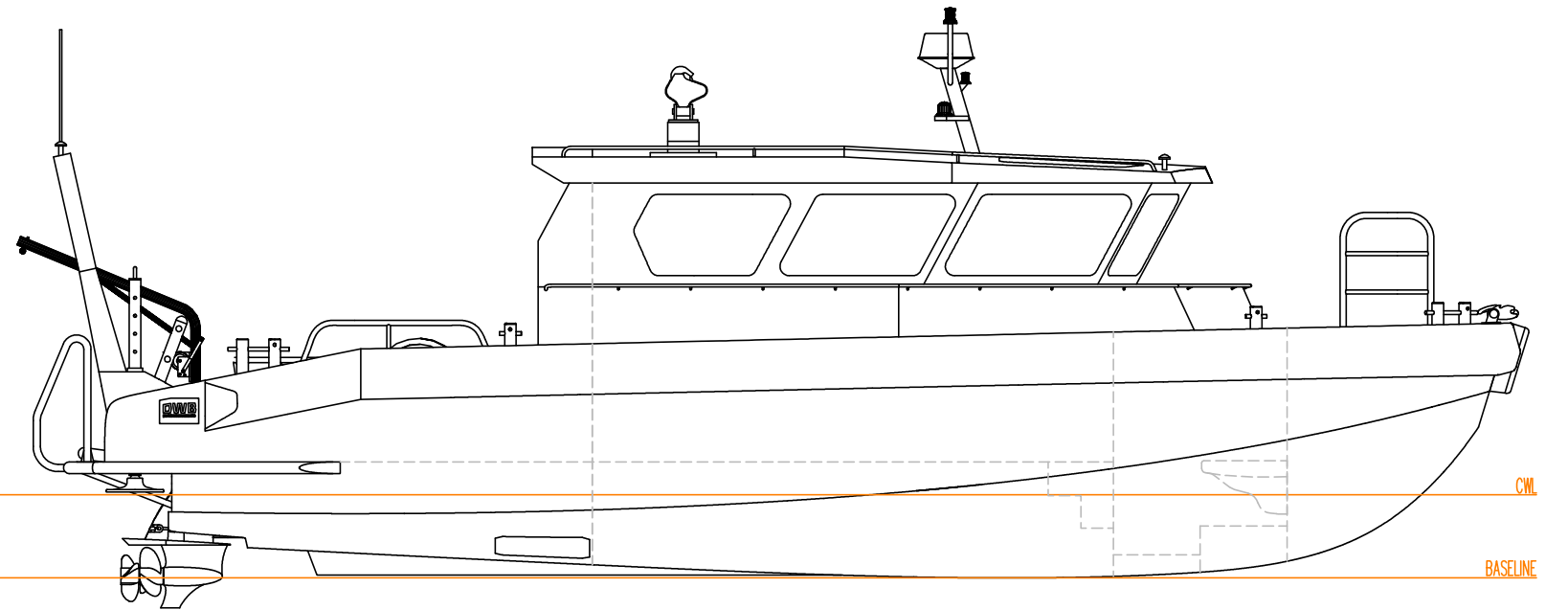
FRONT VIEW



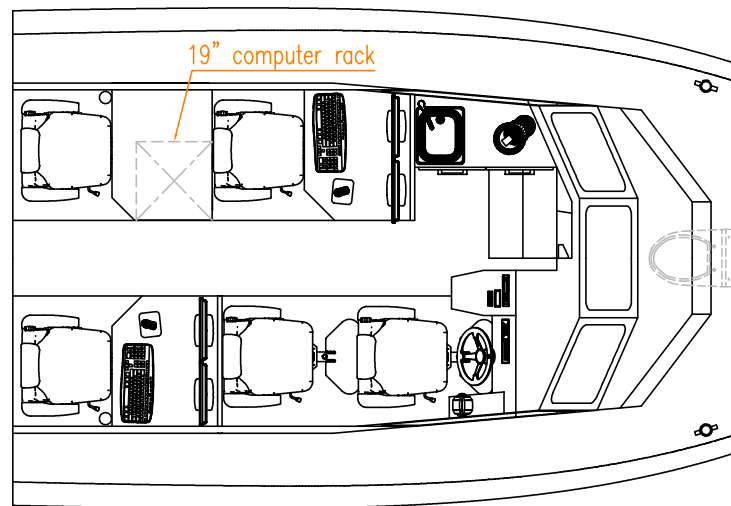
AFT VIEW



SIDE VIEW

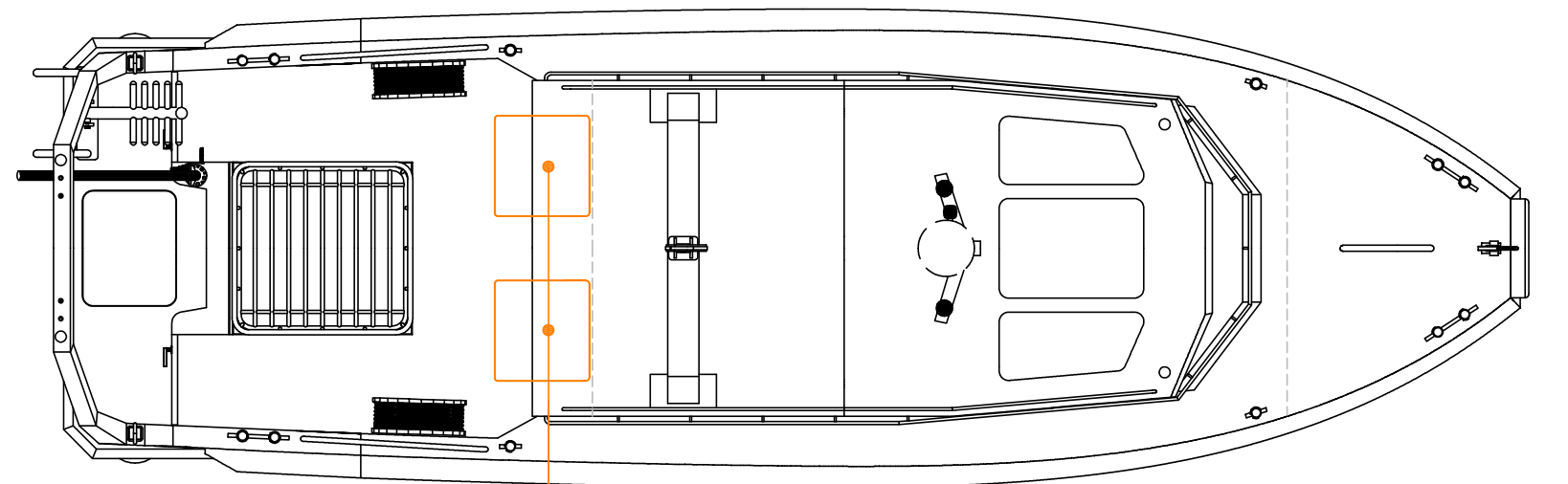


INTERIOR LAY-OUT



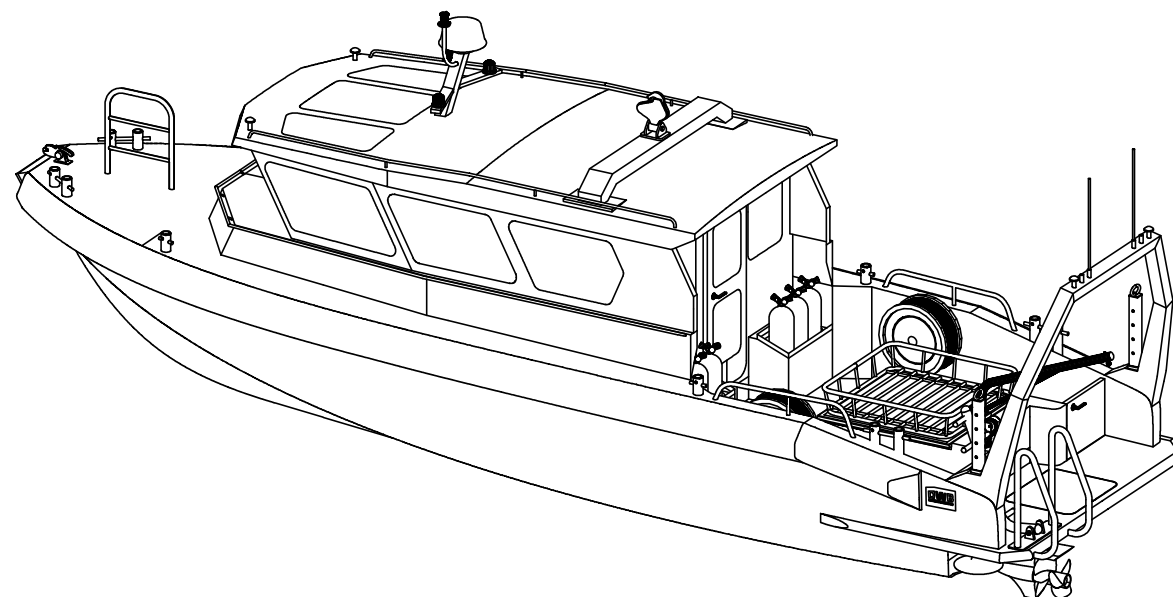
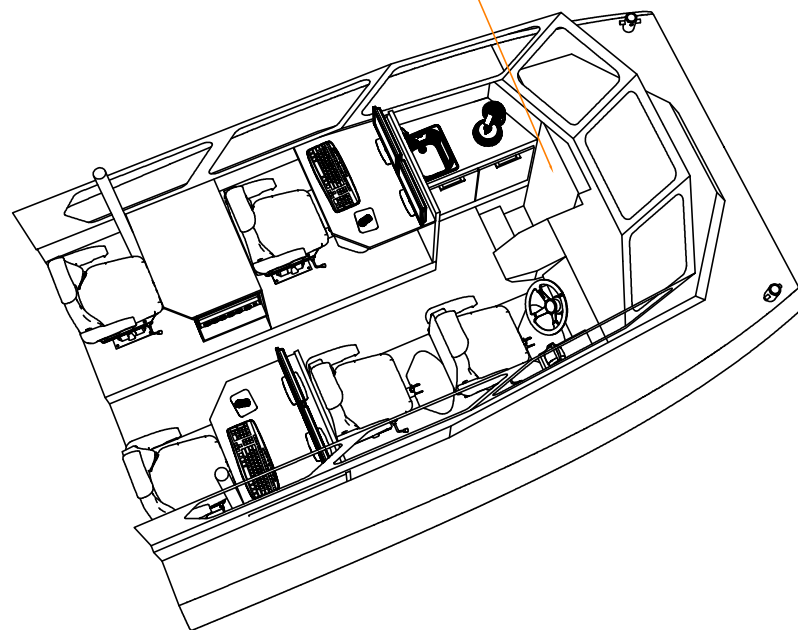
19" computer rack

TOP VIEW



Double moonpool configuration

Sliding door towards toilet space



Main particulars

Length hull 10.00 [m]
 Breadth hull 3.00 [m]
 Draft hull 0.60 [m]
 Displacement Approx. 5500 [kg]
 Engine power 300-320 [HP]

	DRAWN DutchWorkboats	FORMAT A3	PROJECTION
	CHECKED B.A. de Vries	SCALE 1:50	
APPROVED	DATE 29-09-2016		
DSB 10.00 SURVEY/DIVING SUPPORT - GENERAL ARRANGEMENT			
TYPE DWB DSB 10.00		DWG NO	SHEET REVISION
YARD NO contractor			-
YARD NO building yard			