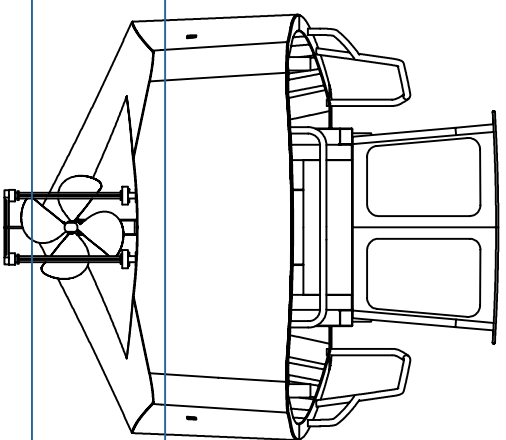
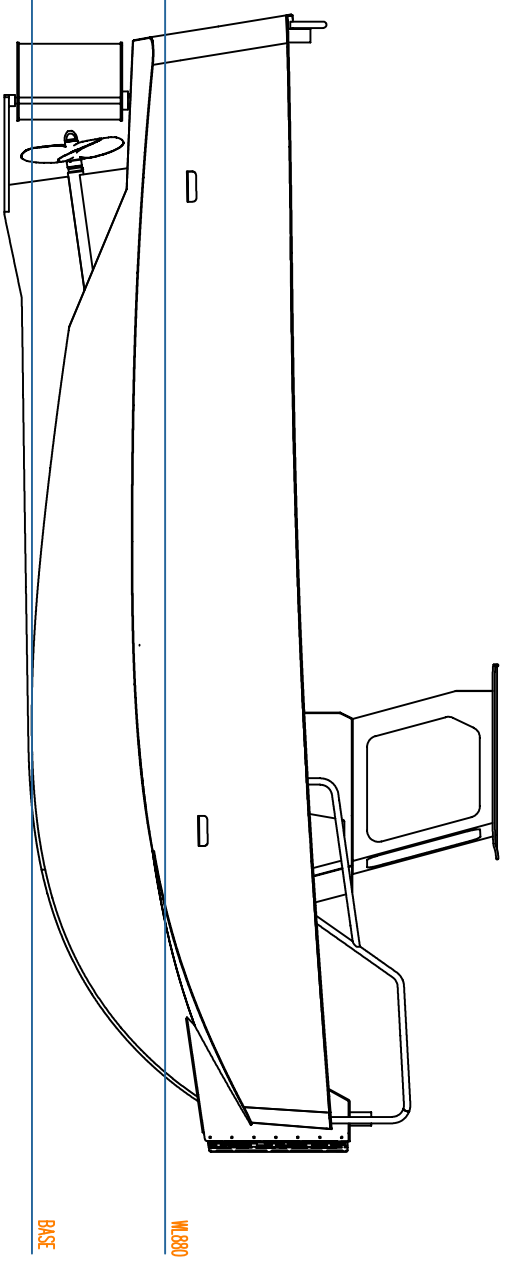


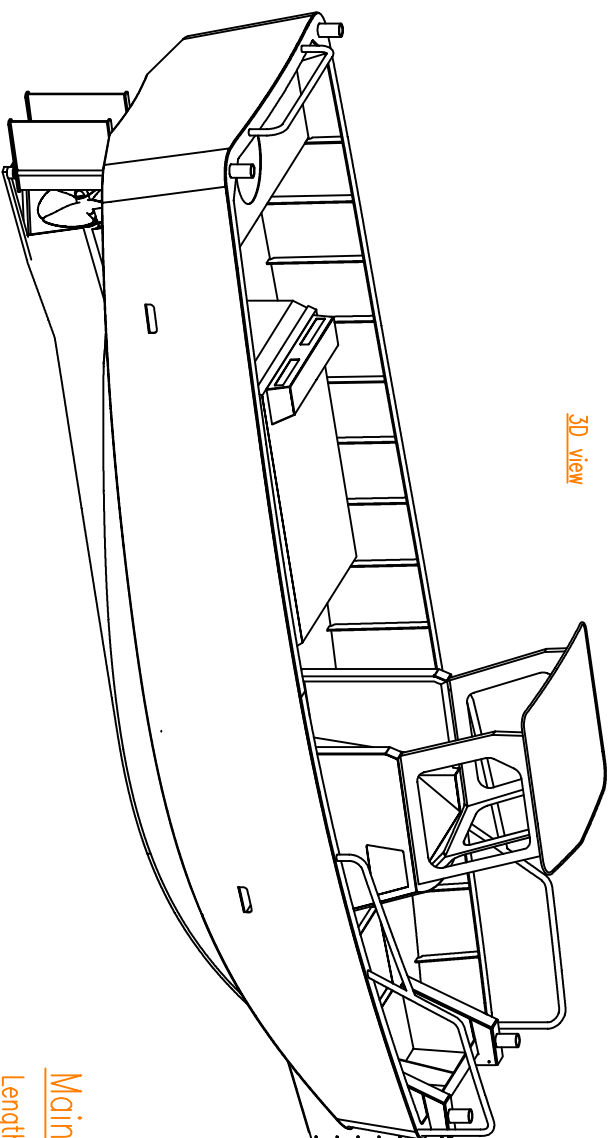
Front view



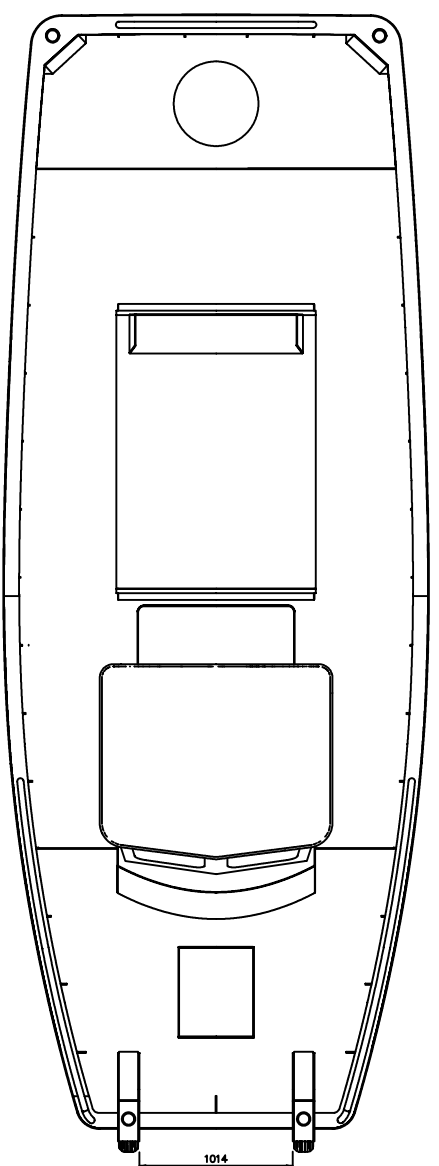
Aft view



Side view





3D view



Top view

Main particulars

Length o.a. (incl. bow fender)	7,52 [m]
Breadth moulded	2,80 [m]
Design draft (moulded/max)	0,88 / 1,06 [m]
Weight with 1/2 consumables approx.	6,0 [tons]
Building material	Steel Grade A
Engine	Weichai WP6C185-21, 185 [HP] @ 2100 [rpm]
Gearbox	Hangzhou Advance 120C, reduction ratio 2,45:1
Propeller	28" FPP
Fuel capacity	650 [L]

		DRAWN Container Line FORMAT A3 CHECKED BA de Vries SCALE 1:50 APPROVED DATE 23-11-2017		PROJECTION 	
		PushBoat 7.50 m – General Arrangement			
TYPE	Container Lug PushBoat 7.50 meter (Steel Grade A)	DWG NO			
YARD NO	Contractor	YARD NO			
Contractor	building yard	Contractor			
		DWG NO	Container PushBoat 7.50 - General Arrangement 201703		
		SHEET			
		REVISION			