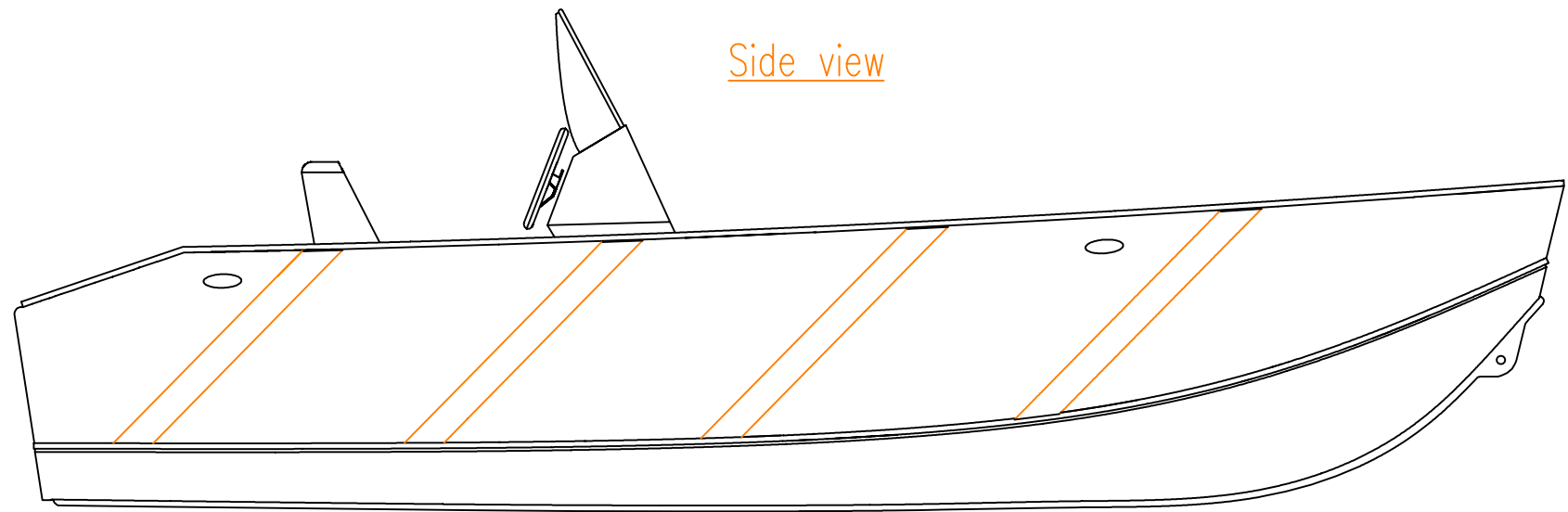


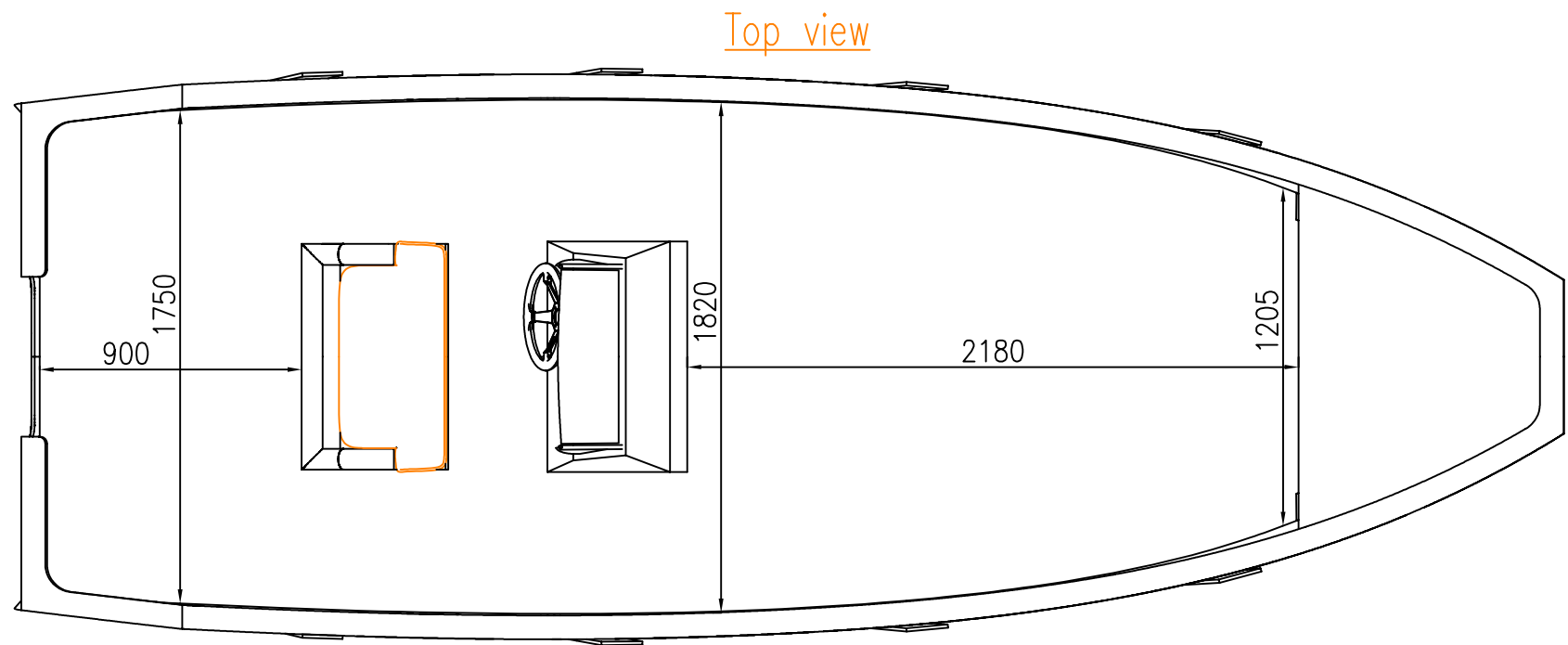
Front view



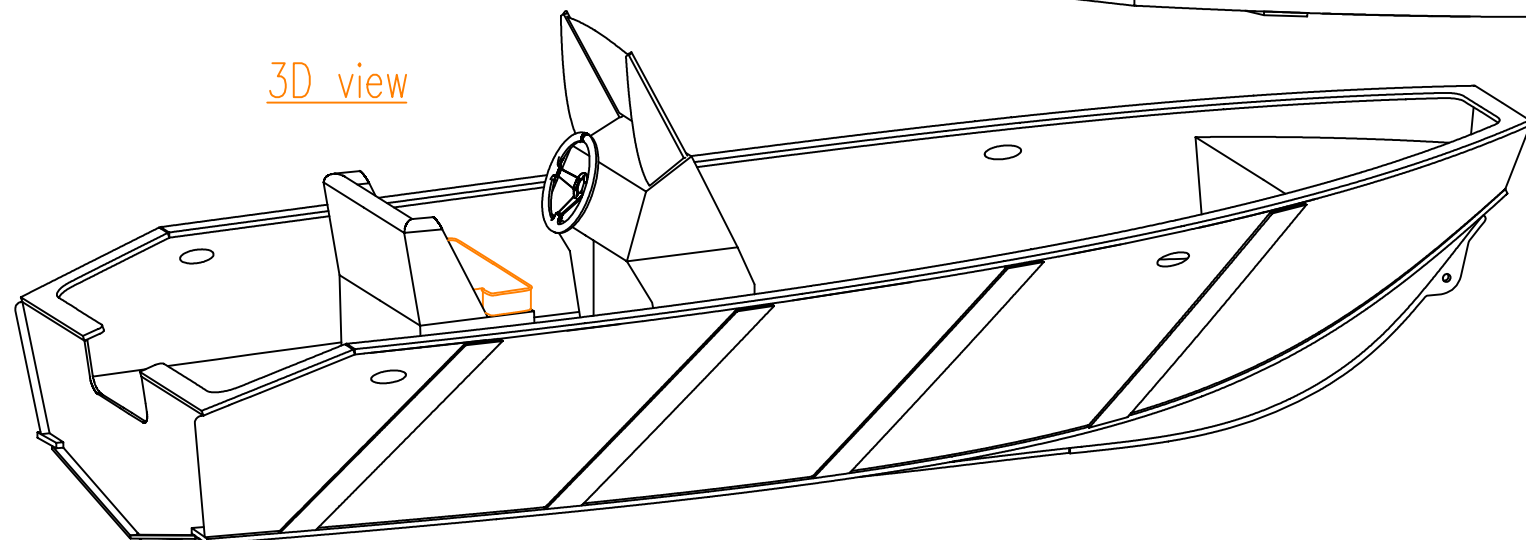
Side view

Main particulars

Length over all 5.50 [m]  
 Breadth over all 2.00 [m]  
 Depth at 1/2L 0.99 [m]  
 Hull Weight Approx. 640 [kg]  
 Engine power Max 60 [hp]  
 Building material: HDPE 12 & 20 [mm]



Top view



3D view

	DRAWN	DutchWorkboats	FORMAT	A3	PROJECTION 
	CHECKED	B.A. de Vries	SCALE	1:25	
	APPROVED		DATE	03-01-2017	
HDPE Support 5.50 – GENERAL ARRANGEMENT					
	TYPE		HDPE Support		
	YARD NO contractor		DWG NO	SHEET	REVISION
	YARD NO building yard				
					3