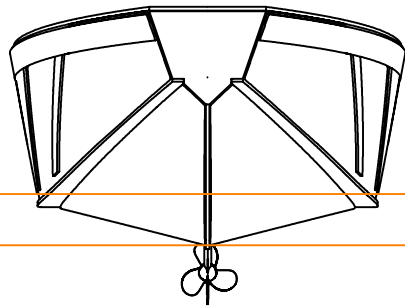
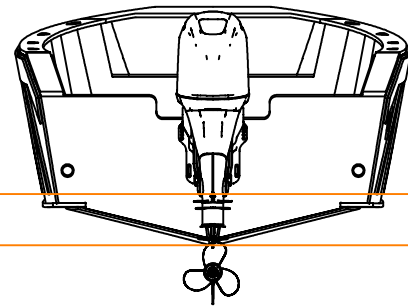


Front view

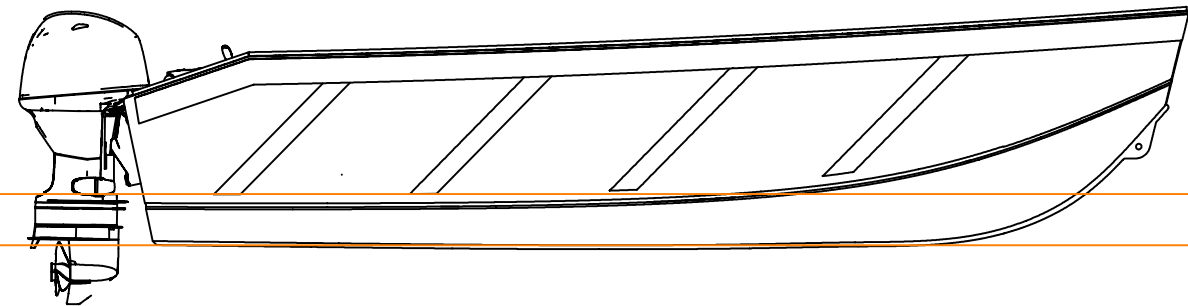


Aft view

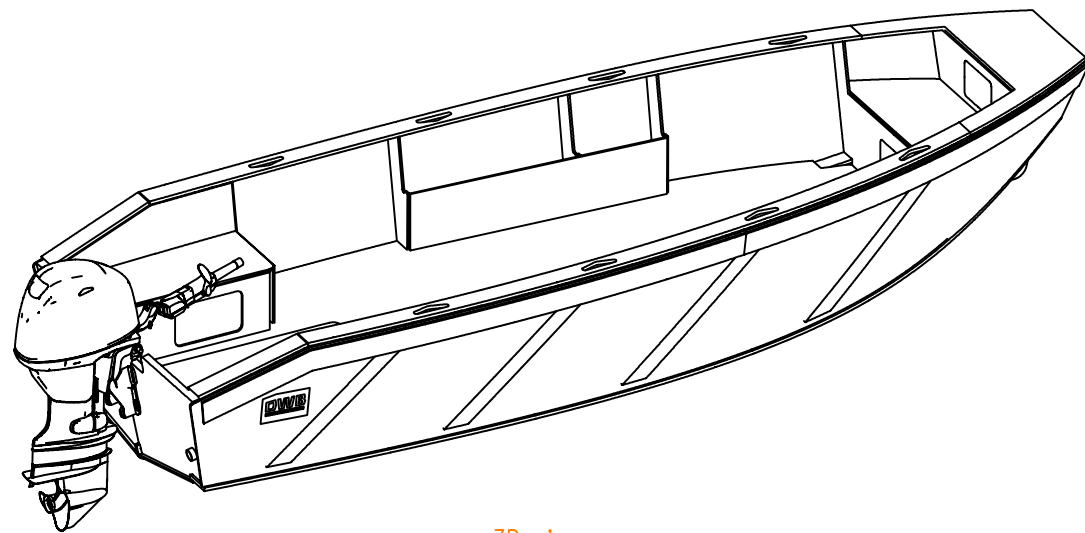


WL270
BASE

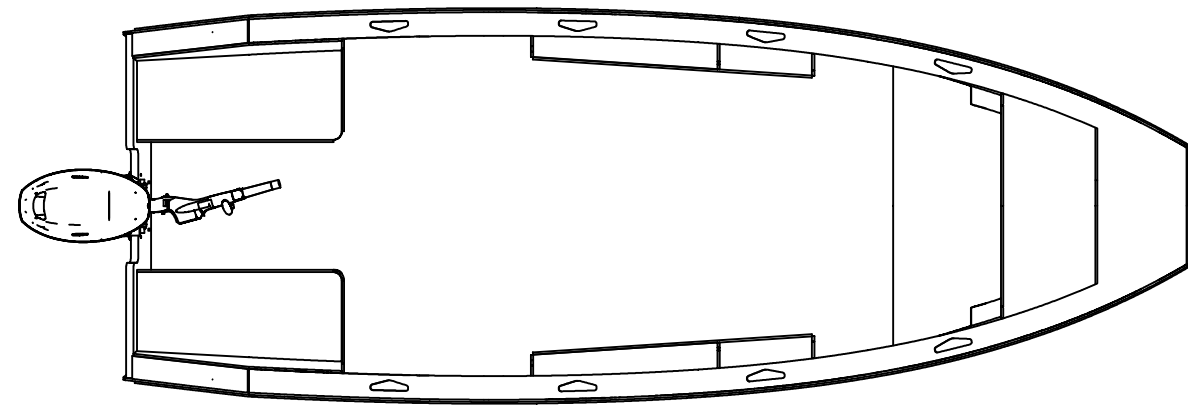
Side view



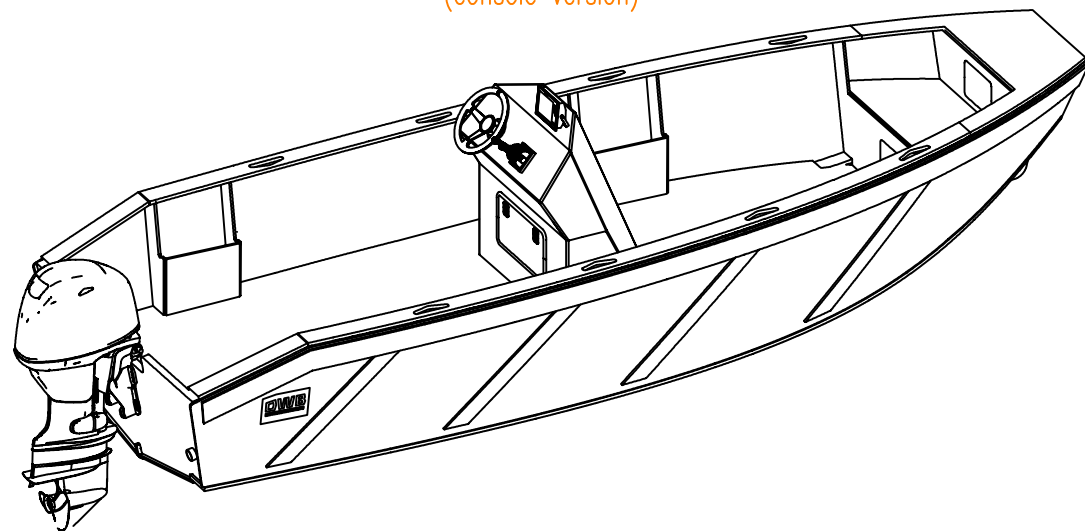
3D view



Top view



3D view
(console version)



DRAWN	DutchWorkboats	FORMAT	A3	PROJECTION
CHECKED	B.A. de Vries	SCALE	1:25	
APPROVED		DATE	13-01-2017	

HDPE Support 5.50 – GENERAL ARRANGEMENT

TYPE		HDPE Support v5 with tiller outboard		
	YARD NO contractor	DWG NO	SHEET	REVISION
	YARD NO building yard			—