

DWB

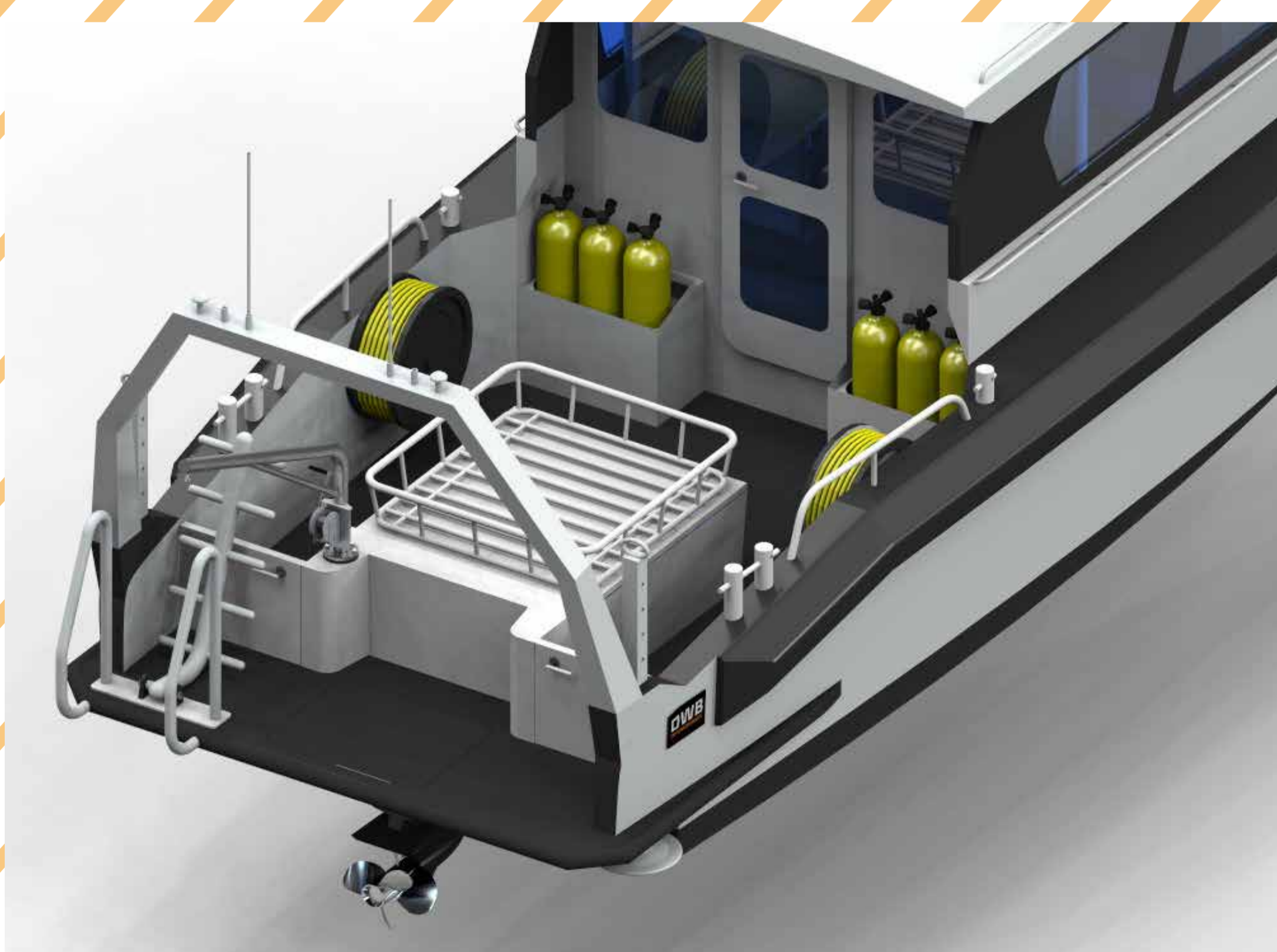
DUTCHWORKBOATS

MASTER THE WATERS

DIVE SURVEY BOAT 10.00-11.00 VERSATILE VESSEL

The Dive Survey Boat 10.00-11.00 is a powerful and reliable platform for diving and survey operations.

She is a comfortable and spacious vessel that gives great comfort and offers many operational applications.



Highlights

- >> 1-2 diesels
- >> sterndrives or jets
- >> max. speed up to 25kn
- >> full comfort for 5-6 crew
- >> optional single lifting

Specifications

- LOA (m) 10.00-11.00
- BOA (m) 3.20
- Draft keel (m) 0.60
- Hull Aluminium
- Displacement (kg) 6500

DUTCHWORKBOATS.COM