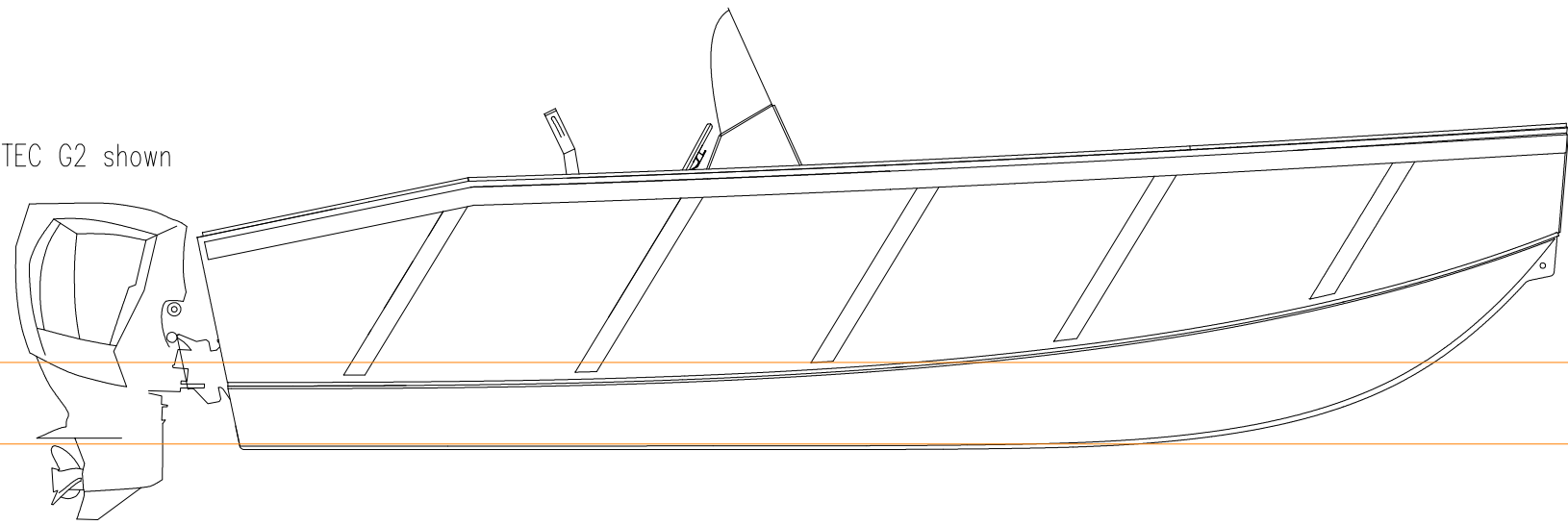
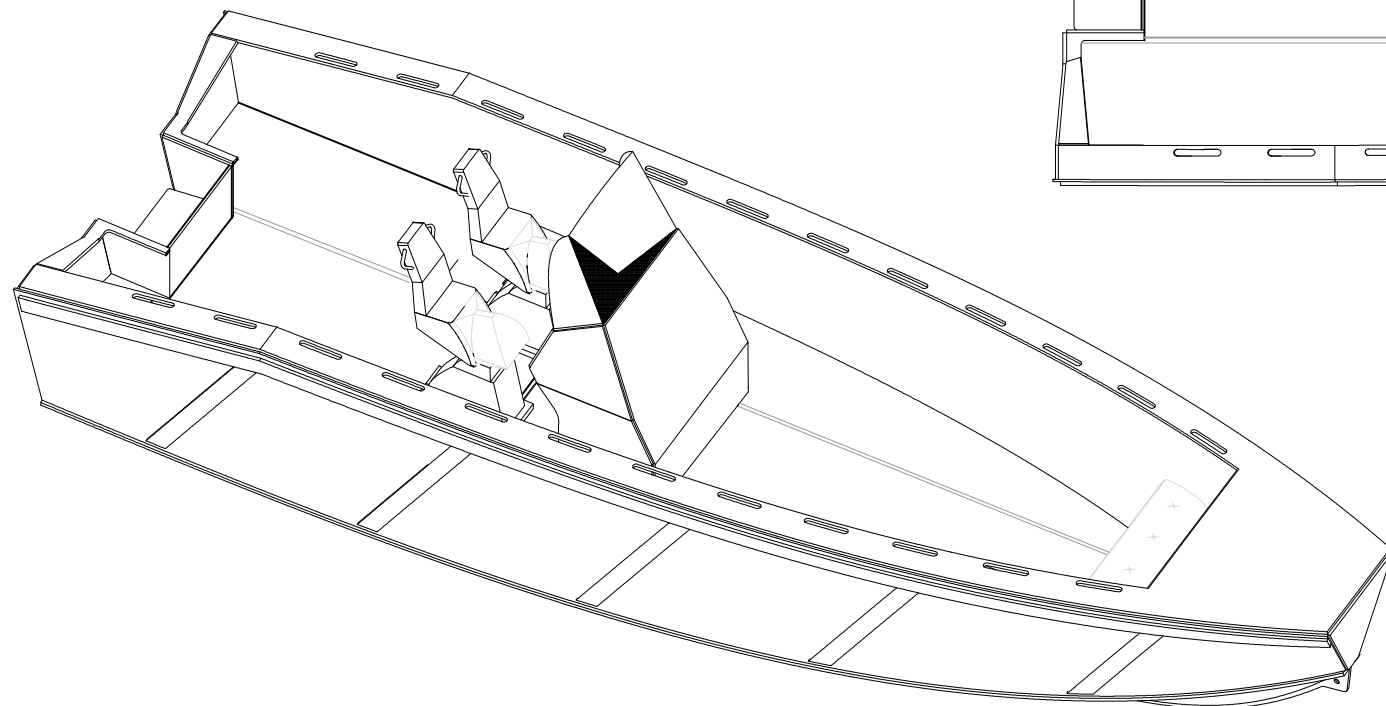
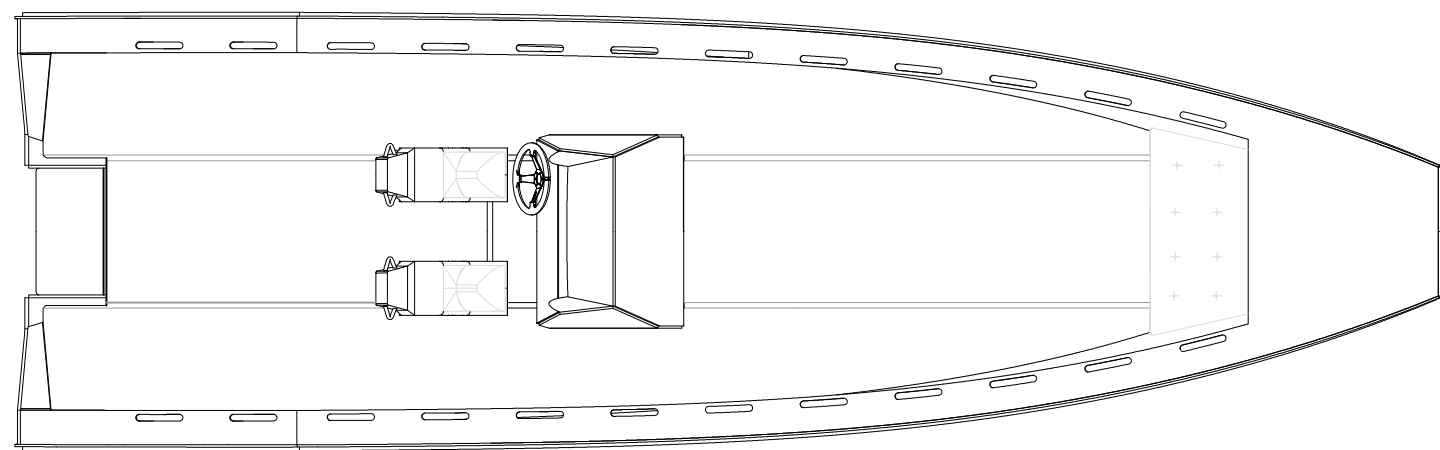


Evinrude E-TEC G2 shown



Main particulars

Length hull 7.55 [m]
 Breadth hull (over all) 2.32 [m]
 Depth at 1/2L 1.58 [m]
 Building material: HDPE 12,15 & 20 [mm]



	DRAWN	DutchWorkboats	FORMAT	A3	PROJECTION
	CHECKED	B.A. de Vries	SCALE	1:40	
	APPROVED		DATE	14-09-2015	
GENERAL ARRANGEMENT SINGLE OUTBOARD VERSION					
TYPE HDPE Crewtender 8.00 – SINGLE OUTBOARD LEISURE VERSION					
	YARD NO contractor		DWG NO	SHEET	REVISION
	YARD NO building yard				-