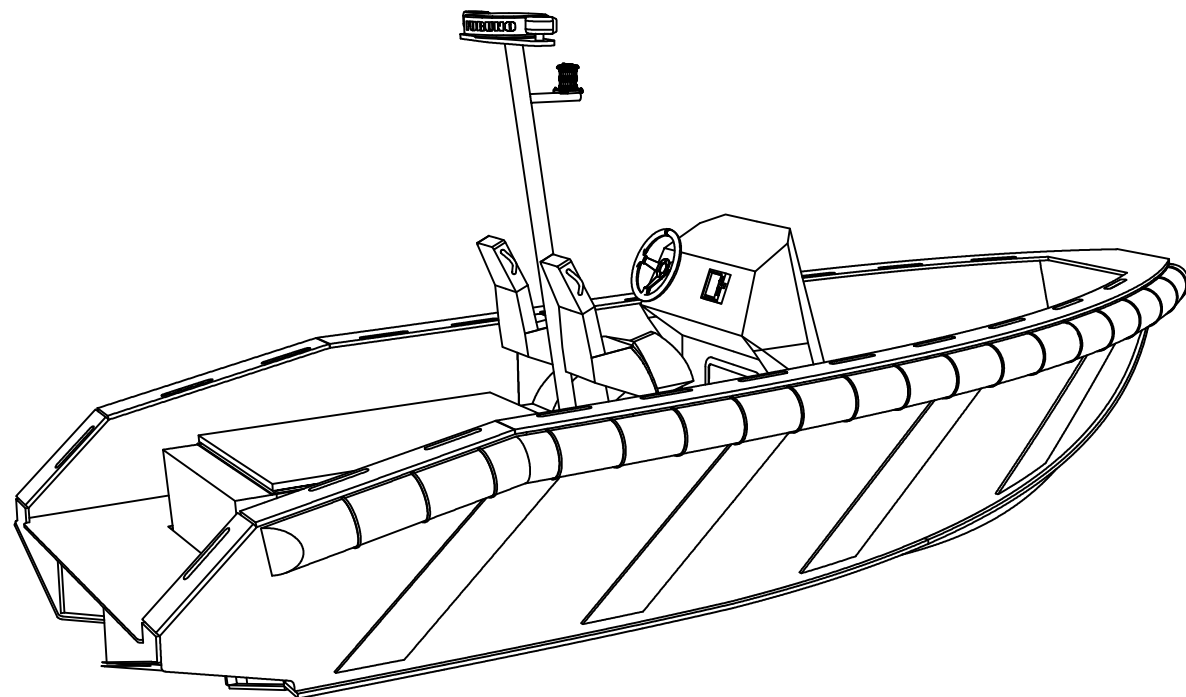
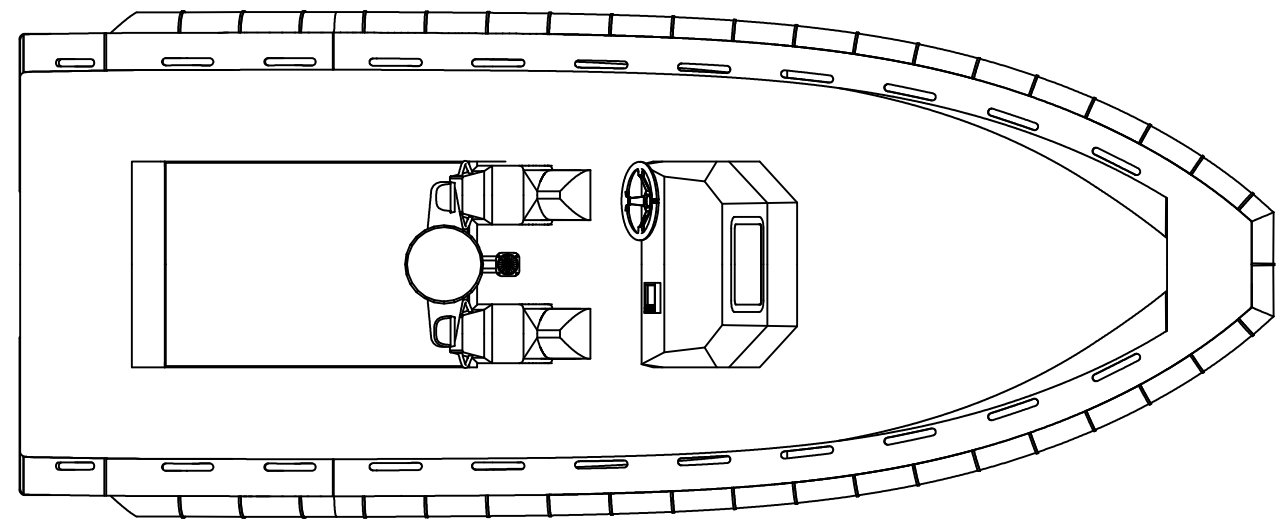


Main particulars

Length hull 6.00 [m]
 Breadth hull 2.30 [m]
 Depth at 1/2L 1.77 [m]
 Building material HDPE

Propulsion 1 x Steyr SE 156/286 @ ALAMARIN 245 JET



		DRAWN DutchWorkboats	FORMAT A3	PROJECTION
		CHECKED B.A. de Vries	SCALE 1:40	
		APPROVED	DATE 30-06-2015	
<p>HDPE CREW TENDER 6.00 – GENERAL ARRANGEMENT</p>				
TYPE HDPE CREW TENDER				
	YARD NO contractor	DWG NO	SHEET	REVISION
	YARD NO building yard			—