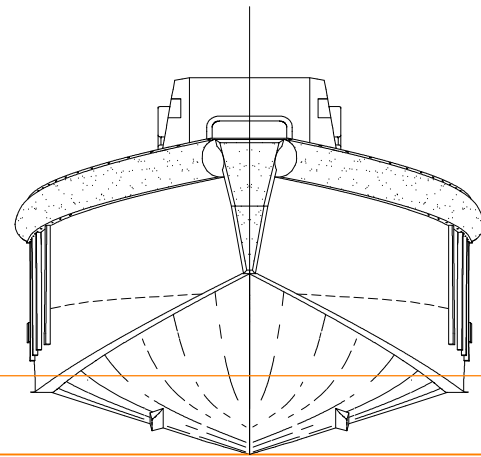
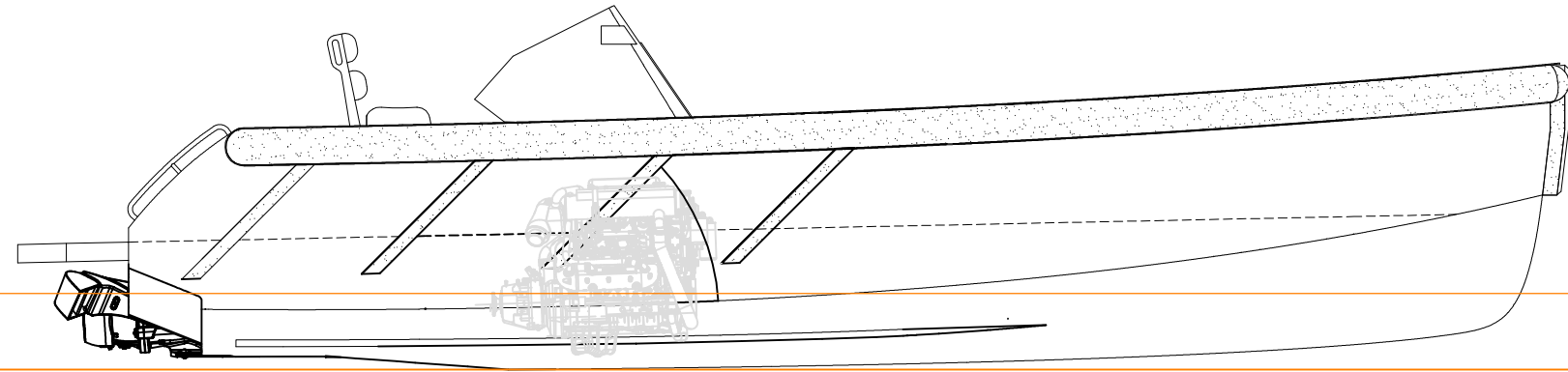


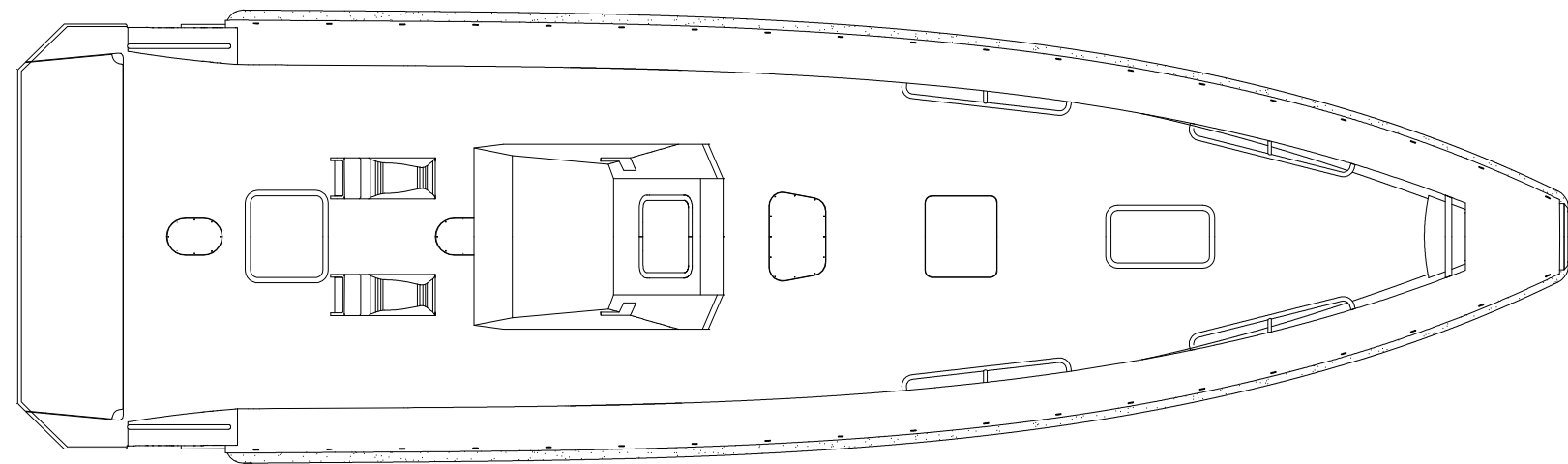
FRONT VIEW



SIDE VIEW



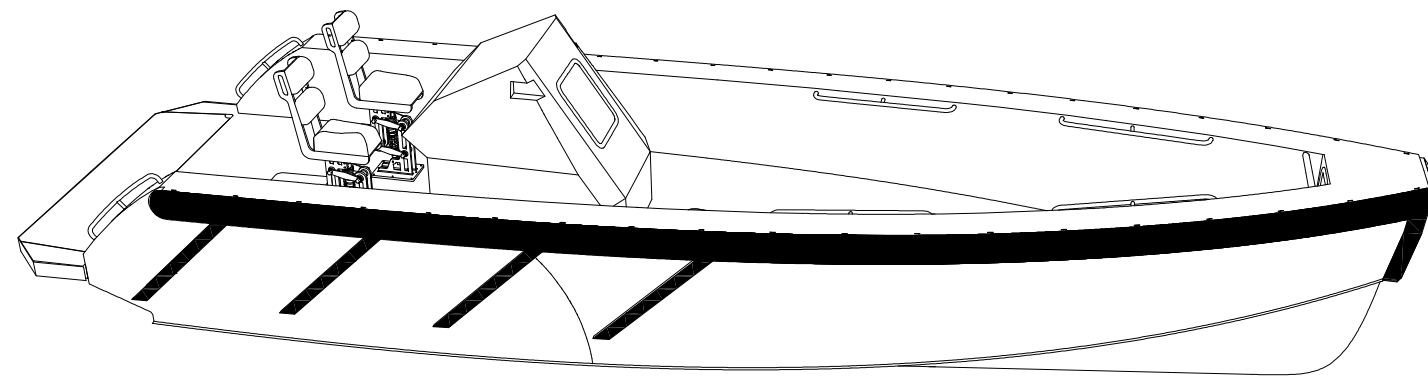
TOP VIEW



Main particulars

Length over all 8.50 [m]
 Breadth over all 2.64 [m]
 Displacement Approx. 2500 [kg]
 Engine power 420 [hp]

3D VIEW



	DRAWN	DutchWorkboats	FORMAT	A3	PROJECTION	
	CHECKED	B.A. de Vries	SCALE	1:40		
	APPROVED		DATE	16-10-2015		
FAST TENDER 8.50 – GENERAL ARRANGEMENT						
	TYPE	DWB FAST TENDER 8.50				
	YARD NO contractor		DWG NO		SHEET	REVISION
	YARD NO building yard					—